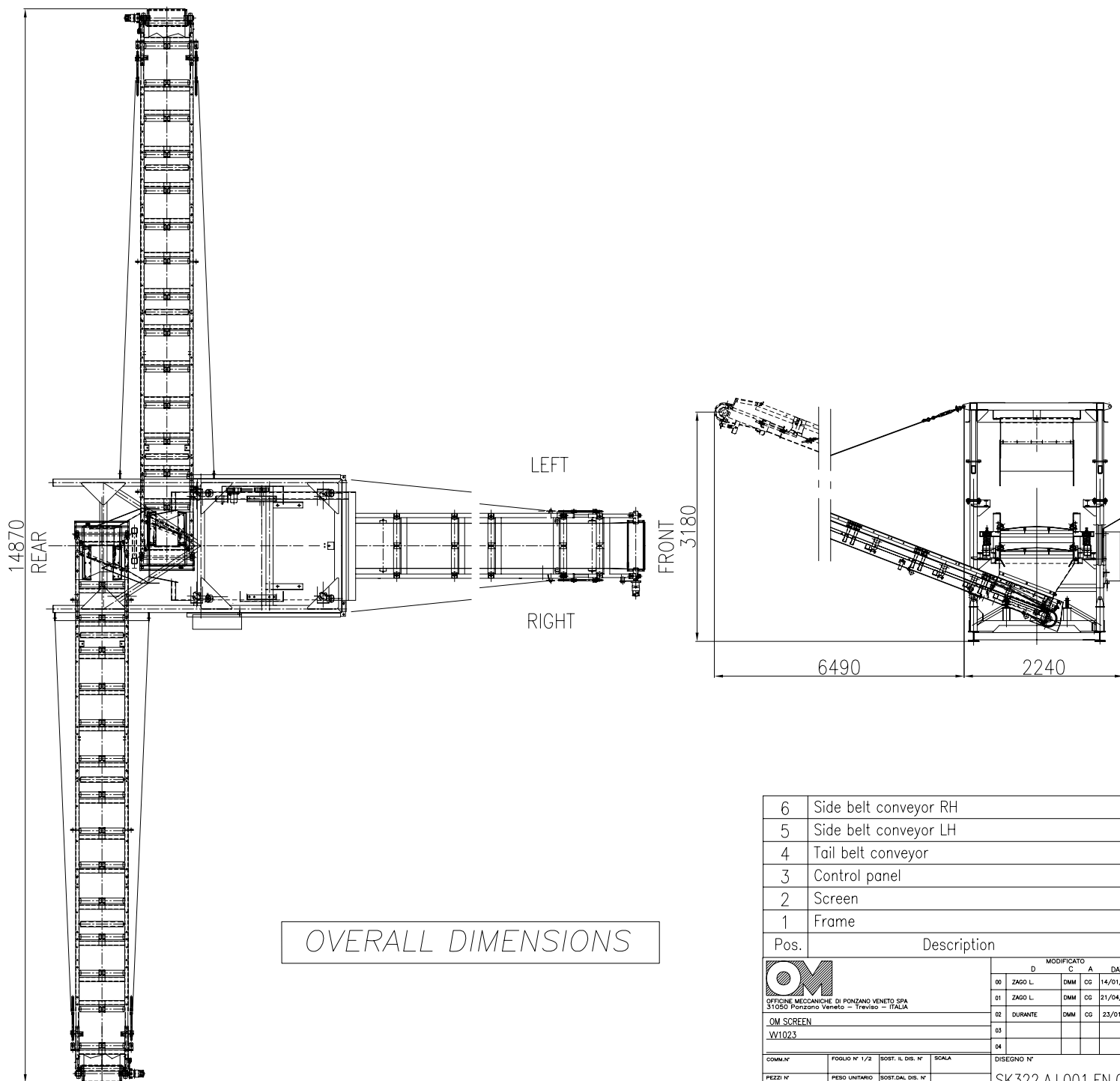
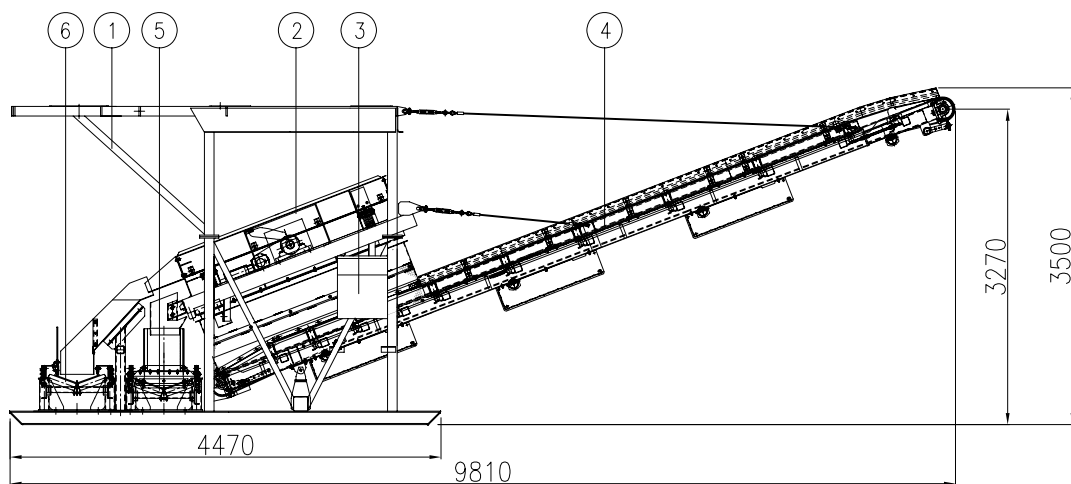


OM SCREEN VV1023



OVERALL DIMENSIONS

6	Side belt conveyor RH
5	Side belt conveyor LH
4	Tail belt conveyor
3	Control panel
2	Screen
1	Frame

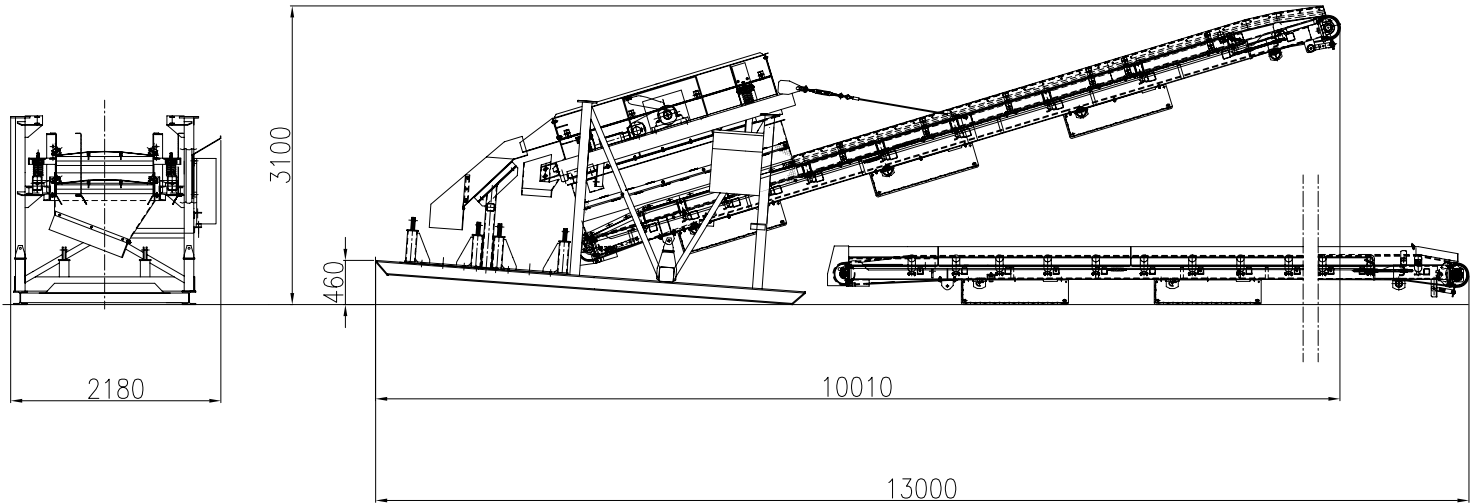
Pos.	Description	MODIFICATO			
		D	C	A	DATA
00	ZAGO L.	DMM	CG		14/01/05
01	ZAGO L.	DMM	CG		21/04/05
02	DURANTE	DMM	CG		23/01/08
03					
04					

COMM.N°	FOGLIO N° 1/2	SOST. IL DIS. N°	SCALA	DISEGNO N°
PEZZI N°	PESO UNITARIO	SOST.DAL DIS. N°		
	kg			

The specification are not binding and Officine Meccaniche di Ponzano S.p.A. company reserves the right to introduce modifications without notice

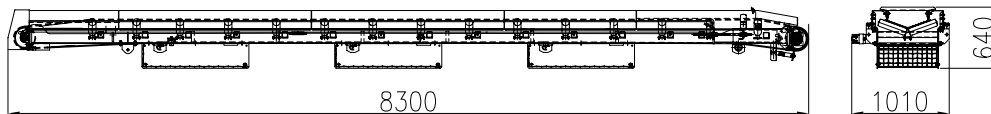
A termini di legge di riservare la proprietà di questo disegno con diritto di riprodotto e di renderlo comunque noto a terzi senza la nostra autorizzazione scritta


OM SCREEN VV1023



TRANSPORT DIMENSIONS WITH SIDE BELT CONVEYOR

Right and Left Side belt conveyor



 OFFICINE MECCANICHE DI PONZANO VENETO SPA 31050 Ponzano Veneto - Treviso - ITALIA				MODIFICATO				
				D	C	A	DATA	
OM SCREEN				00	ZAGO L.	DMM	CG	14/01/05
VV1023				01	ZAGO L.	DMM	CG	21/04/05
				02	DURANTE	DMM	CG	23/01/08
				03				
				04				
COMPLAX	FOLGIO N° 2/2	SOST. IL DIS. N°	SCALA	DISEGNO N°				
PEZZI N°	PESO UNITARIO	SOST. DAL DIS. N°		SK322.AJ.001.EN.02				
	kg							

OM SCREEN VV1023

BASIC VERSION

	Max output	[ton/h]	90
Note:	<i>The output is in correlation with the type of feeding material</i>		
	Total weight without optional equipment	[ton]	6,4
2.01	Screen	[mm]	1000x2300
	VV230 double deck vibrating screen		
	top deck: mesh with square hole - spacing	[mm]	30x30
	bottom deck: mesh with square hole - spacing	[mm]	15x15
2.09	Tail belt conveyor	[m]	0,65x8
	Belt width	[mm]	650
	Drums longitudinal centres	[mm]	8000
	Discharge height	[mm]	3270
2.10	RH Side belt conveyor	[m]	0,5x8
	Belt width	[mm]	500
	Drums longitudinal centres	[mm]	8000
	Discharge height	[mm]	3180
2.11	LH Side belt conveyor	[m]	0,5x8
	Belt width	[mm]	500
	Drums longitudinal centres	[mm]	8000
	Discharge height	[mm]	3180

Pump operation for VV1023 screening unit to be installed on OM CRUSHER (optional 7.07)

OM SCREEN VV1023

VARIANTS

5.02	Top deck mesh	[mm]	Various dimensions
5.03	Bottom deck mesh	[mm]	Various dimensions
5.04	Anti clogging mesh	[mm]	Various dimensions

OPTIONALS

7.07	Pump for VV1023 screening unit to be installed on the engine of the machine OM CRUSHER		
	weight	[kg]	10

* Components transported separately

** Alternative optionals (cannot be operated simultaneously)

Note: Availability of chosen variants and optionals must always be checked up

The specifications are not binding.

Officine Meccaniche di Ponzano Veneto S.p.A. reserves the right to introduce modifications without notice.