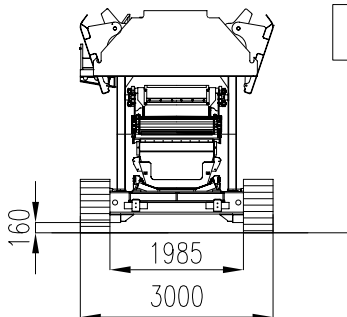
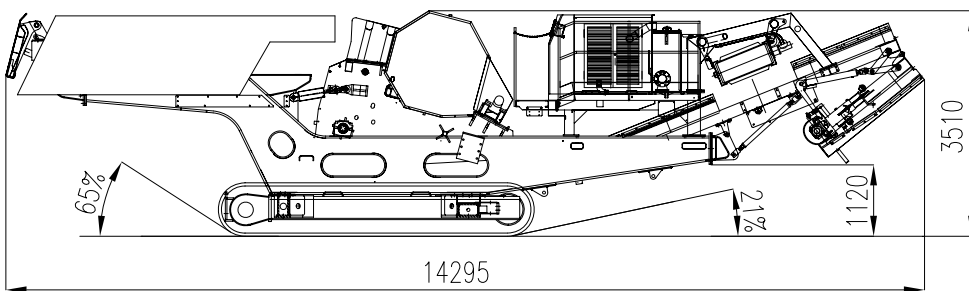
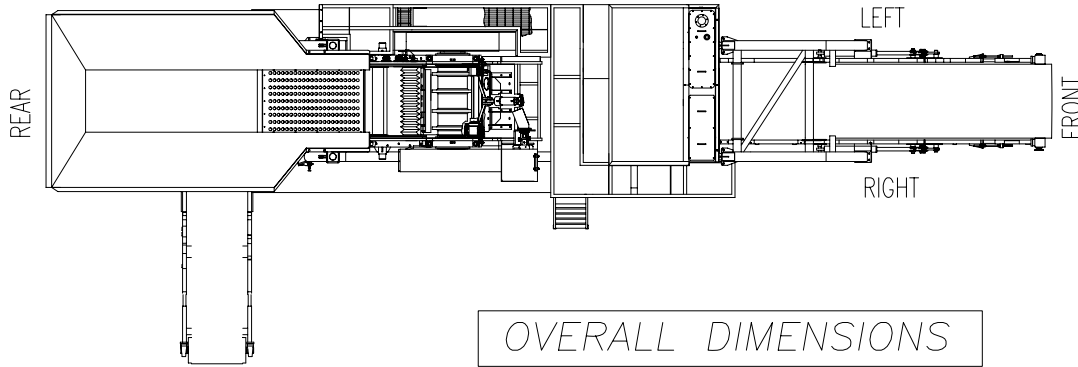
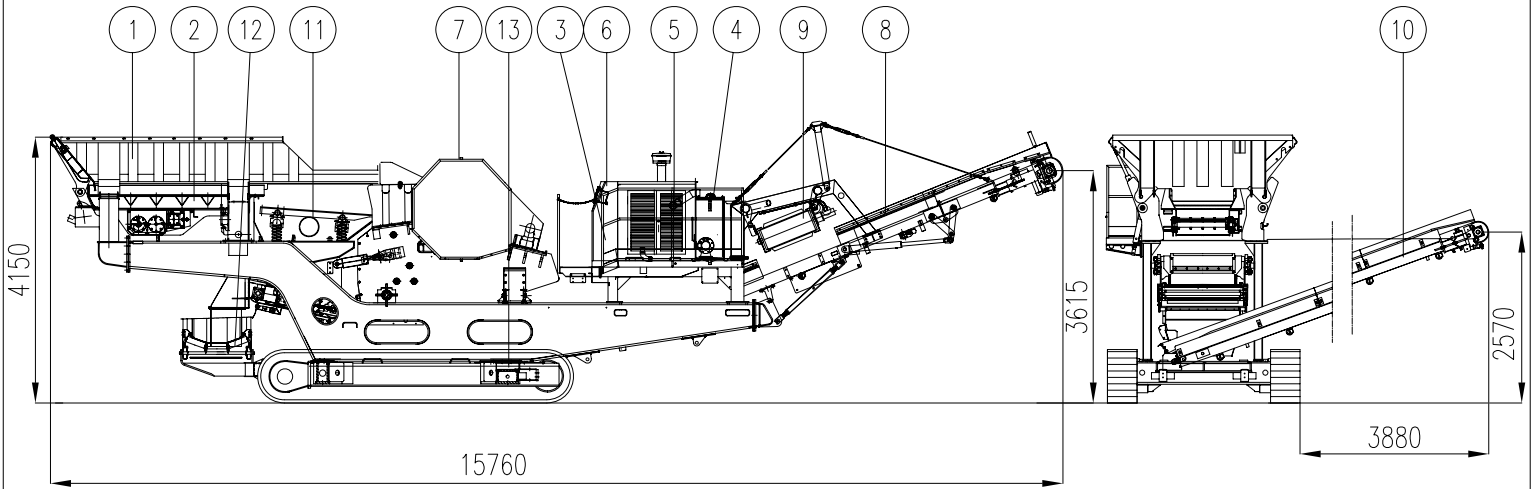


OM CRUSHER SATURNO



TRANSPORT DIMENSIONS

N.B.: TRASPORT ONLY BY
SIDE EXTENDIBLE TRAILER

13	Crawlers
12	Reversible belt conveyor
11	Screen bars
10	Side belt conveyor
9	Magnetic separator
8	Main belt conveyor
7	Jaw crusher
6	Control panel
5	Engine unit
4	Oil tank
3	Hydraulic box
2	Vibrating feeder
1	Loading hopper
Pos.	Description

		MODIFICATO			DATA
		D	C	A	
00	BATTISTON	OG	ZL		13/01/05
01	VOLPATO	LP	GR		13/05/06
02	DURANTE	FV	GF		07/12/07
03					
04					

		OFFICINE MECCANICHE DI PONZANO VENETO SPA 31020 Ponzano Veneto - Treviso - ITALIA	
OM CRUSHER SATURNO		DISEGNO N° TK108AJ001EN02	
COMPL.N°	FOGLIO N°	SOST. IL DIS. N°	SCALA
PEZZI N°	PESO UNITARIO	SOST. DAL DIS. N°	
	kg		

OM CRUSHER SATURNO

BASIC VERSION			
[°]	Max output	[ton/h]	420
[°]	Min output	[ton/h]	45
<i>N.B.: The output is variable according to feeding material type and CSS</i>			
	Feeding size	[mm]	0/650
	Total weight without optionals	[ton]	55,5
1.01	Feeding	[mm]	2890x1024
	blind deck		
	Double deck vibrating screen	[mm]	1070x1715
	top deck bars grid spacing min - max	[mm]	30 - 65
	bottom deck mesh - spacing	[mm]	25
1.02	Feeding self-adjustment		
1.03	Loading hopper (geometric capacity)	[mc]	7
1.04	Reversible belt conveyor	[m]	1,1x1,2
	Belt width	[mm]	1100
	Drums longitudinal centres	[mm]	1200
1.05	Crushing		
	Jaw crusher with hydraulic management (adjust and realase)		FP108
	Feed opening	[mm]	1070x750
	Close side setting CSS	[mm]	45 - 165
	Jaw crusher weight	[ton]	21,3
	12Mn2Cr Flat fixed jaw, height	[mm]	1543
	12Mn2Cr Toothed movable jaw, height	[mm]	1720
1.07	Main belt conveyor with hydraulic folding	[m]	1,1x11,45
	Belt width	[mm]	1100
	Drums longitudinal centres	[mm]	11450
	Discharge height	[mm]	3615
1.08	Drive		
	6 - Cylinder oversupplied diesel engine		
	Power at 2100 rpm	[kW]	205
1.09	Crawler		
	Crawler track width	[mm]	460
	Crawler longitudinal centres	[mm]	~ 4085
1.10	Dust dampening system		
1.11	Magnetic separator with mechanical and hydraulic prearrangement		
1.12	Unit control		
	umbilical control		

OM CRUSHER SATURNO

VARIANTS

4.01	12Mn2Cr Toothed fixed jaw		
4.03	Bars grid		
	Opening min - max	[mm]	20 - 50
	Opening min - max	[mm]	50 - 90
4.04	Punched plate with frame		
	Diamond hole size - thickness	[mm]	50 - 15
	Diamond hole size - thickness	[mm]	70 - 20
	Diamond hole size - thickness	[mm]	90 - 20
4.05	Anti-clogging wire mesh	[mm]	30 - 40
4.09	Without fitting magnetic separator		
4.11 ■	"Over Range" configuration crusher	[mm]	85 - 200

OM CRUSHER SATURNO

OPTIONALS			
7.01*	Side belt conveyor	[m]	0,8x6
	Belt width	[mm]	800
	Drums longitudinal centres	[mm]	6000
	Discharge height	[mm]	2570
	Weight	[kg]	1400
7.02**	Level 1 radio control		
	(Vibrating feeder start/stop; vibrating screen start/stop; emergency stop button; warning sirene)		
	Weight	[kg]	2
7.03**	Level 2 radio control		
	(Vibrating feeder start/stop; vibrating screen start/stop; crawler start/stop and control; reversible belt conveyor start/stop; main belt conveyor adjustment; emergency stop button; warning sirene; side walls movement -with cod.7.10; hydraulic landing legs movement)		
	Weight	[kg]	2
7.04*	Training belt conveyor	[m]	0,8x10
	Belt width	[mm]	800
	Drums longitudinal centres	[mm]	10000
	Discharge height	[mm]	4500
	(To complete with 7.05 and 7.06)		
	Weight	[kg]	2670
7.05	Discharge hopper from OM CRUSHER to training belt conveyor		
	Weight	[kg]	117
7.06**	Pump for training belt conveyor		
	Weight	[kg]	34
7.08	Automatic greasing system		
	Weight	[kg]	6
7.10	Hydraulic folding hopper		
	Weight	[kg]	66
7.11	Gasoil filling pump		
	Weight	[kg]	10
7.12	Water pump for dust dampening system		
	Weight	[kg]	22

[°] The output is based on crushing dry calcareous bulk with appropriate size, having specific weight of 1,6 t/m³ and 150 MPa compression strength resistance. Bulk waste material will tend to change considerably the output in relation to its conditioning, size and quantity of metallic components contained

■ For material having compression strength resistance exceeding 200 MPa the crusher automatically runs in "Over Range" configuration. In this case contact OM Technical Department.

* Components transported separately

** Alternative optionals (cannot be operated simultaneously)

N.B.: Availability of chosen variants and optionals must always be checked up

The specifications are not binding.

Officine Meccaniche di Ponzano Veneto S.p.A. reserves the right to introduce modifications without notice.