

# **FRONTIER**



*Our experience*

*Your key to success*

**KEESTRACK**  
MOBILE CRUSHING AND SCREENING EQUIPMENT



*Our experience  
Your key to success*



## ***Features and benefits***

Optimum flexibility and mobility with the highest possible performance

Low cost solution that offers superior screening results

Heavy duty steel apron feeder standard in all models

Market leaders in direct feed screening on tracks

State of the art Keestrack 2 - deck screenbox

Robust design with low machine weight

Up to 25% greater fuel efficiency

Compact transport dimensions

Low feeding height

Quick set-up time

Proven reliability

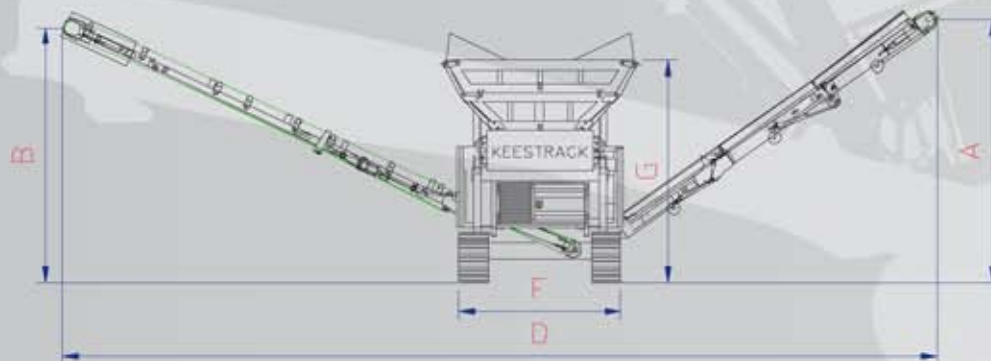
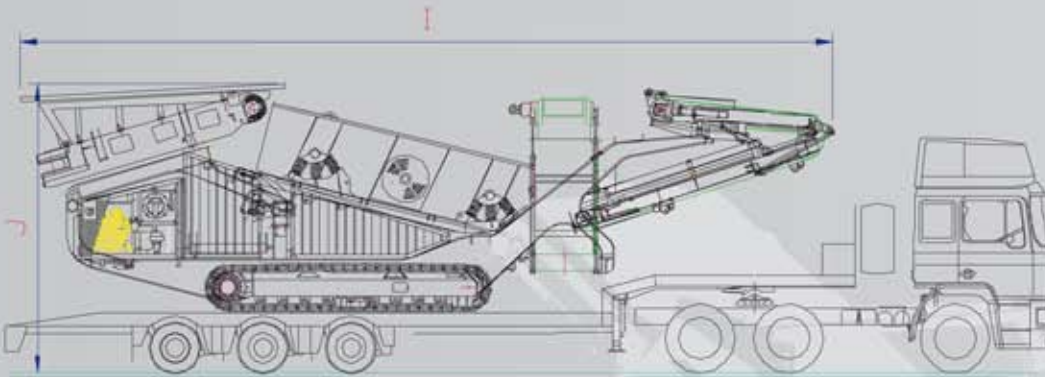
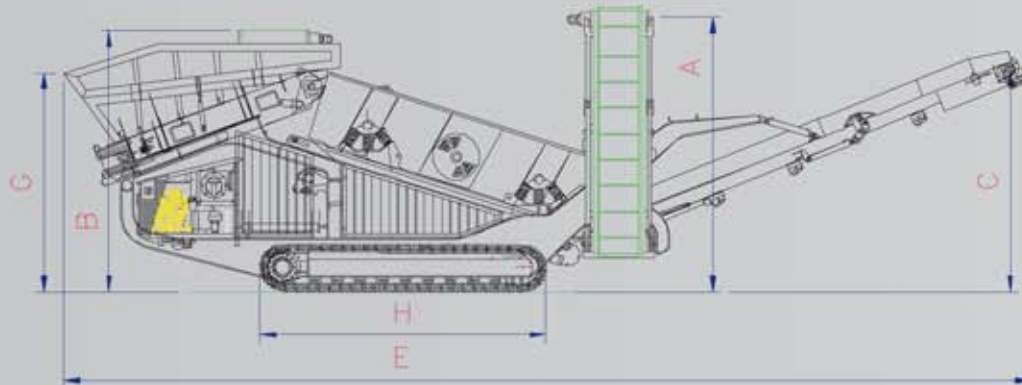


## ***Applications***

- Pre-screening/scalping prior to being fed into a crusher
- Recycling landfill and construction waste
- Top soil and many other products
- Separation of "sticky" aggregate
- Construction and Demolition
- Screening behind a crusher
- Sand and Gravel
- Quarrying



# TECHNICAL SPECIFICATIONS:



**Transportheight:** 3180 mm **10'-7"**  
**Transportwidth:** 2720 mm **8'-10"**  
**Transportweight:** aprox.30 tons **66000 lbs**

Pos.1) Feedhopper : 8 m<sup>3</sup> **10 yards**  
 - All three hopperwalls are hydraulic folding

Pos.2) Plate apron feeder : KT-1400 **0-20 ft/min**  
 - Full adjustable speed : 0 bis 6.1 m/min.

Pos.3) The screenbox : KT-4518 Heavy duty **15 ft x 6 ft**  
 - Length x width : 4500 mm x 1800 mm **90 ft<sup>2</sup>**  
 - Effective screenarea : 8,1 m<sup>2</sup>

Pos.4) Conveyor belt under the screenbox **13'-9" x 4'-6"**  
 - Length x width : 4200 mm x 1400 mm  
 - Drive : hydraulic 11 kW

Pos.5) Oversizebelt **21 ft x 5 ft**  
 - Length x width : 6500 mm x 1500 mm  
 - Drive : hydraulic 13,3 kW

Pos.6) Sideconveyor left (finesconveyor) **28'-4" x 40"**  
 - Length x width : 8650 mm x 1000 mm  
 - Drive : hydraulic 15 kW

Pos.7) Sideconveyor right (midsizematerial) **28' x 32"**  
 - Length x width : 8500 mm x 800 mm  
 - Drive : hydraulic 11 kW  
 - The conveyors are hydraulic folding for transport.

Pos.8) trackdrive D4E **12'-4"**  
 - Length : 3750 mm **18"**  
 - Width trackplate : 450 mm **1 mph**  
 - 2-speed drive : max. 1,5 km/hour

Pos.9) Powerunit : Diesel / Hydraulic **125 hp**  
 - Diesel engine, Type : DEUTZ 4L TCD 2012, 91Kw  
 - Hydraulics : 4 cylinders in line /2200 rpm  
 : SAUER/DANFOSS, REXROTH, load-sensing

A	B	C	D	E	F	G	H	I	J	
4060	4000	3250	13500	15000	2500	3380	4425	12750	4100	mm
13' 4"	13' 1"	10' 8"	44' 3"	49' 2"	8' 3"	11' 1"	14' 6"	41' 10"	13' 45"	ft inch

All measurements are approximate.

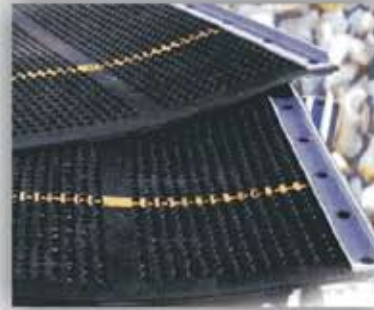
# FRONTIER



1



2



3



4



5

## OPTIONS LIST

1. Heavy duty fingerscreen topdeck

2. Fingerscreen bottomdeck

3. Rubberdeck topdeck

4. Anti clogging system bottomdeck

5. Screen flow brake

6. Picking station on both sides

7. Radio remote control on feeder and tracks

8. Tungsten steel belt scraper

9. Diesel fill pump 80 L / min

10. Corner extension walls + backwall

11. Hopper extension on two sides

12. Extra long oversize conveyor XXL

13. Grizzly stepdeck

14. Overband magnet



6



7



8



9



10



11



12



13



14



## Our Experience

### Your key to success

The material in this document is for information only and is subject to change without notice. Keestrack N.V. assumes no liability resulting from errors or omissions in this document, or from the use of the information contained herein.

Les renseignements contenus dans ce document ne sont fournis qu'à titre d'information uniquement et peuvent être modifiés sans avis préalable. Keestrack N.V. décline toute responsabilité résultant d'erreurs ou d'omissions dans ce document, ou de l'utilisation des renseignements y figurant.

Este documento es sólo para informativos y su contenido puede cambiar sin aviso previo. Keestrack N.V. no se hace responsable de los errores u omisiones en este documento ni de los daños ocasionados por el uso de la información contenida en el mismo.

Der inhalt dieses Dokuments ist nur zur information bestimmt und kann ohne vorherige Bekanntgabe geändert werden. Keestrack N.V. übernimmt für Fehler oder Auslassungen oder für die Anwendung der enthaltenen informationen keine Haftung.

Il materiale contenuto in questo depliant è solamente a titolo informativo e può essere cambiato senza alcun preavviso. Keestrack N.V. non assume responsabilità per eventuali errori od omissioni o per l'uso delle informazioni contenute.

De gegevens in dit document zijn alleen ter informatie bedoeld en kunnen ten alle tijde zonder verwtitting veranderd worden. Keestrack N.V. is niet verantwoordelijk voor eventuele drukfouten, onvolledigheden of voor het gebruik van de informatie in deze folder.

Head office:  
Keestrack nv  
Taunusweg 2  
3740 Bilzen - Belgium  
Tel: +32 89 51 58 51  
Fax: +32 89 51 58 50  
info@keestrack.net  
www.keestrack.com

Tridic s.r.o. Piskoviste 1663/3  
785 01, Sternberk  
Czech Republic  
Tel: +42 0 585 002 031  
Fax: +42 585 001 164  
secretary@tridic.com  
www.tridic.com

Keestrack of America  
3550 Fairfield Road  
Baltimore MD 21226 USA  
Tel: +1 410 355 1377

Chuzhou Screening Construction  
Equipment Co., Ltd  
Add: Cheng Dong Industry Park,  
Chuzhou, AnHui 239000, P.R.C  
Tel: +86 (0) 550 365 25 05  
Fax: +86 (0) 550 365 25 06  
info@keestrack.net  
www.keestrack.com

**KEESTRACK**  
MOBILE CRUSHING AND SCREENING EQUIPMENT