

EXPLORER 1500



Our experience

Your key to success

KEESTRACK
MOBILE CRUSHING AND SCREENING EQUIPMENT



Our experience
Your key to success



Features and benefits

Excellent access for screen mesh change

Free standing machine without support legs

Optimum flexibility and mobility with the highest possible performance

Low cost solution that offers superior screening results

State of the art Keestrack 2 - deck screenbox

Robust design with low machine weight

Up to 25% greater fuel efficiency

Compact transport dimensions

Low feeding height

Quick set-up time

Proven reliability

Applications

- Top soil and many other products
- Sand and Gravel
- Separation of “sticky” aggregate
- Construction and Demolition
- Screening behind a crusher
- Quarrying
- Coal



TECHNICAL SPECIFICATIONS:

- Transport height : 3.150 mm.
- Transport width : 2.550 mm.
- Weight : ca. 24 Ton, standard

Pos.1) Feedhopper

- Content : 7.7 m³.
- Construction : Hardox und stahl ST52-3.

Pos.2) Belt Feeder.

- Variable speed : 0 bis 6.1 m/min

Pos.3) Under screen conveyor (fines material)

- Length : 6.750 mm.
- Width : 1.200 mm.
- Drive : hydr. 7,5 k

Pos.4) Screenbox KT-4518-M.

- Length : 3.600 mm.
- Width : 1.500 mm.
- Drive : hydraulisch. 11 kw
- Screening surface : 5,4 m².

Pos.5) Main conveyor KT- 85/1200.

- Belt Width : 1.200 mm.

Pos.6) Side conveyor left (fines material)

- Length AA : 8.500 mm
- Width : 650 mm.
- Drive : hydraulisch, 15 KW

Pos.7) Side conveyor right(midlesize material)

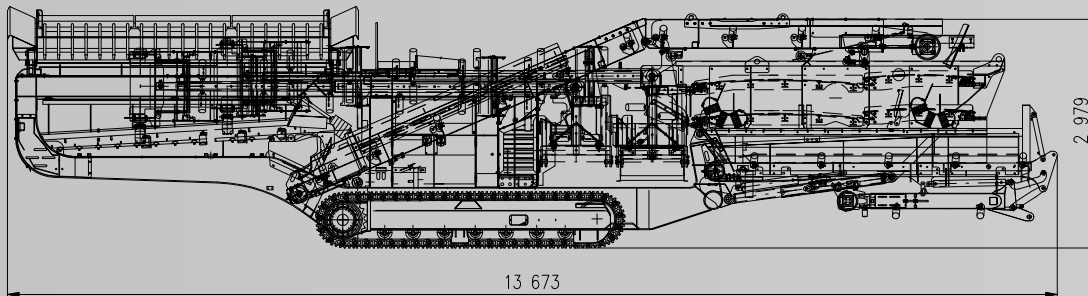
- Length : 8.500 mm.
- Width : 650 mm.
- Drive : hydraulisch. 7.5 kW.

Pos.8) Track-unit FL6

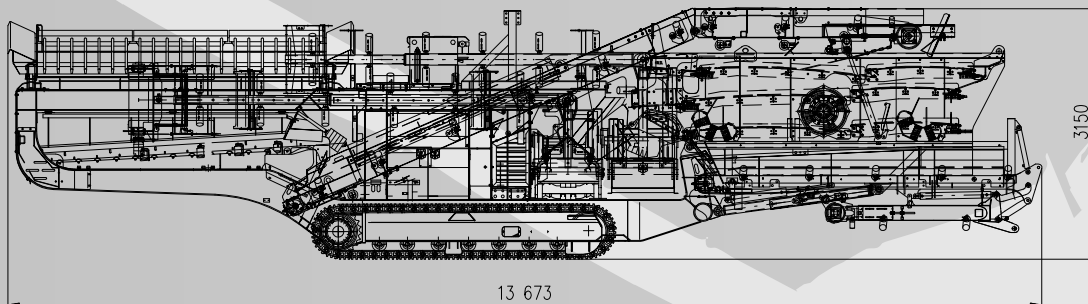
- Length : 3.300 mm.
- Track Width : 400 mm.
- Total width : 2.500mm.
- Speed (2) : max. 1 km/hr

Pos.9) Antriebsaggregat.

- Drive : Diesel/Hydraulisch.
- Diesel Motor, Type : DEUTZ BF2012 100Hp/72kW
- Hydraulic Motor : DANFOSS/SAUER.



3 DECK



EXPLORER 1500

OPTIONS LIST

- 1. Three deck screen
- 2. Radio remote control
- 3. Diesel fill pump 80 l / min
- 4. Working lamps (3)
- 5. Anti clogging system bottomdeck
- 6. Tungsten steel beltscraper Hoessl on onderscreen
- 7. Rubberdeck topdeck
- 8. Z flex screen mat
- 9. Overband magnet on main conveyor
- 10. Vibrating grid
- 11. Topsoil schredder



1



2



3



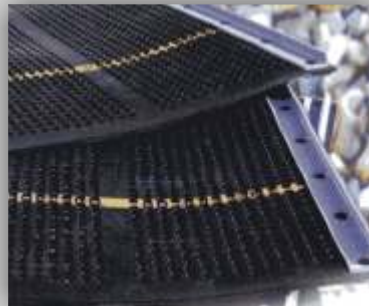
4



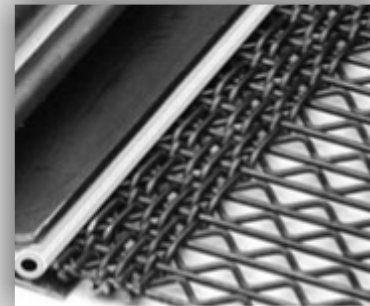
5



6



7



8



9



10



Our Experience

Your key to success

The material in this document is for information only and is subject to change without notice. Keestrack N.V. assumes no liability resulting from errors or omissions in this document, or from the use of the information contained herein.

Les renseignements contenus dans ce document ne sont fournis qu'à titre d'information uniquement et peuvent être modifiés sans avis préalable. Keestrack N.V. décline toute responsabilité résultant d'erreurs ou d'omissions dans ce document, ou de l'utilisation des renseignements y figurant.

Este documento es sólo para informativos y su contenido puede cambiar sin aviso previo. Keestrack N.V. no se hace responsable de los errores u omisiones en este documento ni de los daños ocasionados por el uso de la información contenida en el mismo.

Der inhalt dieses Dokuments ist nur zur information bestimmt und kann ohne vorherige Bekanntgabe geändert werden. Keestrack N.V. übernimmt für Fehler oder Auslassungen oder für die Anwendung der enthaltenen informationen keine Haftung.

Il materiale contenuto in questo depliant è solamente a titolo informativo e può essere cambiato senza alcun preavviso. Keestrack N.V. non assume responsabilità per eventuali errori od omissioni o per l'uso delle informazioni contenute.

De gegevens in dit document zijn alleen ter informatie bedoeld en kunnen ten alle tijde zonder verwittiging veranderd worden. Keestrack N.V. is niet verantwoordelijk voor eventuele drukfouten, onvolledigheden of voor het gebruik van de informatie in deze folder.

Head office:
Keestrack nv
Taunusweg 2
3740 Bilzen - Belgium
Tel: +32 89 51 58 51
Fax: +32 89 51 58 50
info@keestrack.net
marketing3@keestrack.net
www.keestrack.com

T idi s.r.o.
Pískovište 3
Šternberk
Czech Republic
Tel: +420 585 002 031
Fax: +420 585 001 164
secretary@tridic.com
marketing2@keestrack.com
www.tridic.com

Keestrack of America
3550 Fairfield Road
Baltimore MD 21226 USA
Tel: +1 410 355 1377

Chuzhou Screening Construction
Equipment Co., Ltd
Add: Cheng Dong Industry Park,
Chuzhou, AnHui 239000, P.R.C
Tel: +86 (0) 550 365 25 05
Fax: +86 (0) 550 365 25 06
info@keestrack.net
www.keestrack.com

Saint - Petersburg, Russia
Tel: +7 906 279 6120
keestrack-rus@keestrack.net
www.keestrack.com

KEESTRACK

MOBILE CRUSHING AND SCREENING EQUIPMENT