



MAQUINARIA  
DE CANTERAS  
TRIMAN, S.A.U.

Triman  
Cone  
crusher

TMC-3



# TMC-3 CONE CRUSHER

The TRIMAN product series has the most extensive range of crushers in the world; including cone crushers.

After exhaustive studies, long manufacturing experience and a thorough study of the market, the TRIMAN technical department has developed cone crushers.

## INNOVATIONS :

Our R&D Department, in collaboration with INA-FAG has developed a machine that is totally supported by standard catalog bearings, thus conferring great technical improvements, high response capacity and flexibility in spare parts suppliers.

The mechanical performance is enhanced due to:

- Less friction.
- Less need to dissipate heat.
- Less lubrication.
- Applied work power (no loss)
- Less installed power.
- Longer life of elements.

Less power is used for the cone thanks to the bearing arrangement that reduces heat loss. As a result, the flow rate of oil for lubrication and cooling is also reduced and contributes to a lower power consumption for the same application.

The crusher is protected from non-crushable material by means of hydraulic cylinders without accumulators. A variable flow-rate pump insures constant pressure throughout the cylinder stroke and in this way protects the crusher mechanisms.

The exhaustive design of the crushing chambers yields high output rates, improved product, cost reduction and fewer spare part changes.

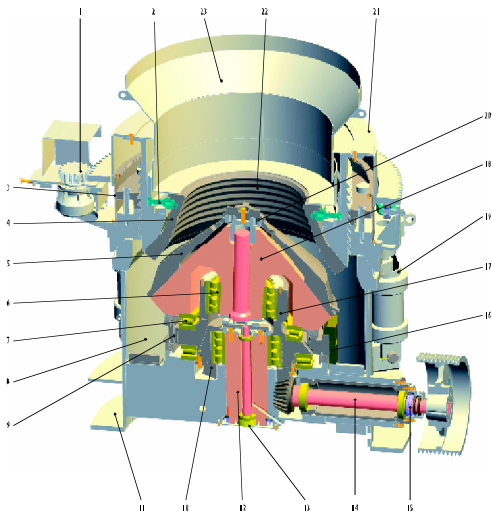
During maintenance and parts replacement, the more delicate parts of the machine remain hidden and protected from dust and weather in order to preserve their quality and avoid accidental injury.

## MAINTENANCE:

We have carefully studied the regulation of the machine, as well as the replacement of its mechanical components, to confer a simple and uncluttered arrangement and eliminate the need for highly qualified operators.

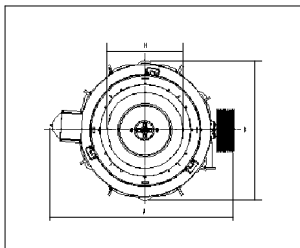
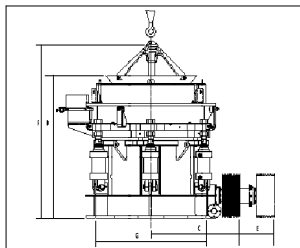
The assembly and disassembly of worn replacement parts is simple due to the automated opening and closing of the machine. This facilitates spare parts change and regulation of the crushing chamber.





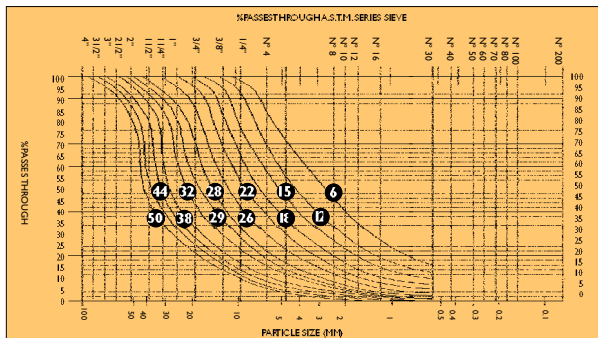
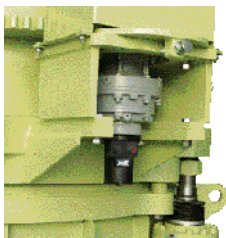
Pos.	Name
1	Regulating system
2	Foot piece
3	Upper frame
4	Concave
5	Cover
6	Radial bearings
7	Axial bearings
8	Anti-wear protector
9	Labyrinth seal
10	Gears
11	Lower frame

Pos.	Name
12	Main axle
13	Anti-roll system
14	Horizontal axle
15	Conical bearings
16	Counterweights
17	Central bushing
18	Head
19	Cylinder
20	Blocking cylinder
21	regulating ring
22	distributor cone
23	Inlet



MODEL	Total weight	Power Kw	R.P.M. vertical axis	Weight CH concrete axis	Weight CH side axis	A	B	C	D	E	F	G	H
TMC-2	10.000	110	300-600	1.870 kg	1.395 kg	2.469	1.752	1.160	1.026	710	2.329	1.225	975
TMC-3	16.000	160	275-500	3.000 kg	2.110 kg	2.735	2.020	1.324	2.121	785	2.115	1.485	1.125
TMC-4	23.000	250	275-400	4.650 kg	2.940 kg	3.050	2.388	1.480	2.416	800	3.095	1.740	1.400





#### PRODUCTION

#### LOWER REGULATION

MODEL	6 mm	8 mm	10 mm	12 mm	15 mm	18 mm	22 mm	26 mm	32 mm	38 mm	44 mm	50 mm
TMC-2	60-90	70-105	90-120	115-145	135-175	145-185	160-200	175-225	190-235	210-250		
TMC-3			115-140	145-180	175-215	195-235	200-260	235-285	250-320	300-380	345-435	
TMC-4				180-225	220-275	250-315	275-345	300-375	325-430	360-490	410-560	460-630

The indicated production values are an example for materials with a density of 1.6; at any rate, this will depend on the nature of the material, particle size, feeding efficiency, classification, moisture content, control, etc.

#### Configurations

All of our models can be set to the following values, in accordance with the end particle size that is required:  
EXTRA-THICK • THICK • MEDIUM • FINE • EXTRA-FINE



*Central Office:*

Yanguas y Miranda, 1 Bajo  
Apdo. de Correos nº 359  
31080 PAMPLONA  
Tel.: 902 153 021  
Fax: 948 207 101  
e-mail: [comercial@triman.es](mailto:comercial@triman.es)  
[www.triman.es](http://www.triman.es)

*Factory:*

Po.l. Ondarria, s/n.  
31800 ALSASUA Navarra