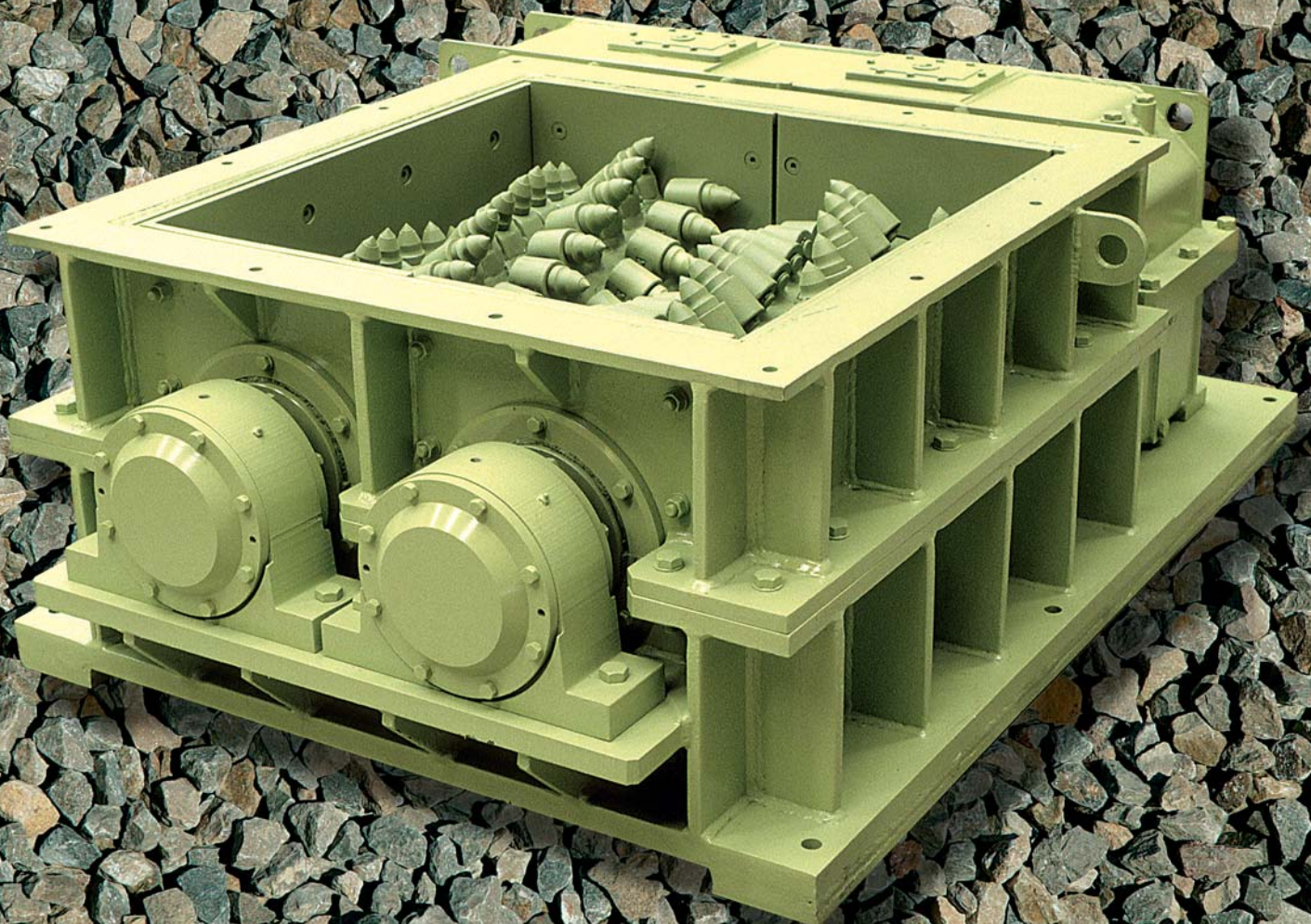




MAQUINARIA
DE CANTERAS
TRIMAN, S.A.U.

Triman
Breaker
crusher

MRT



MRT BREAKER CRUSHER

TRIMAN has developed MRT crusher for soft and semi-hard materials, such as clay, coal, limestone and gypsum. These crushers can crush these types of materials, even in conditions of high moisture content, preventing the adherence and compacting of these materials.

There are two types of MRT crushers: double axle or single axle with regulating plate.

DOUBLE AXLE:

This arrangement is ideally suited to large particle size and high moisture content. It is made up of two axles that counter-turn to optimize the penetration and crushing of the product. The output particle size is fixed, and depending on the conditions, can be between approximately 40 and 100 mm.

SIMPLE AXLE:

This model is conceived for medium size products. It can be set with a regulating plate to vary output particle size, which, depending on the operating conditions, can be approximately 20 to 50 mm.

CONSTRUCTION:

FRAME:

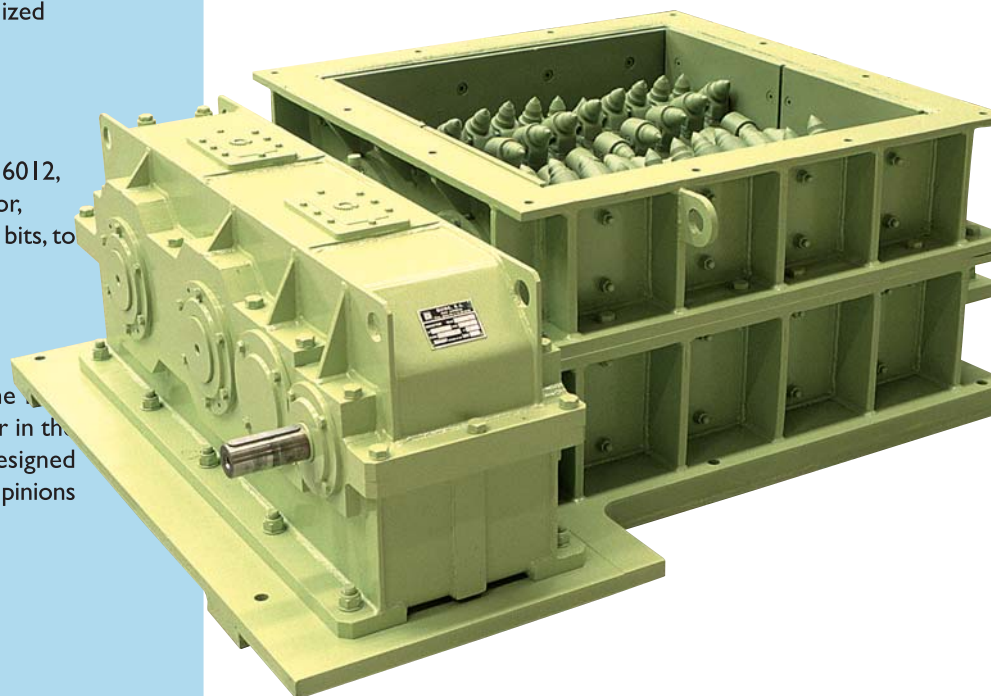
Ribbed steel in two pieces and mechanized joint. The lower part houses the supports for the mechanized bearing stand.

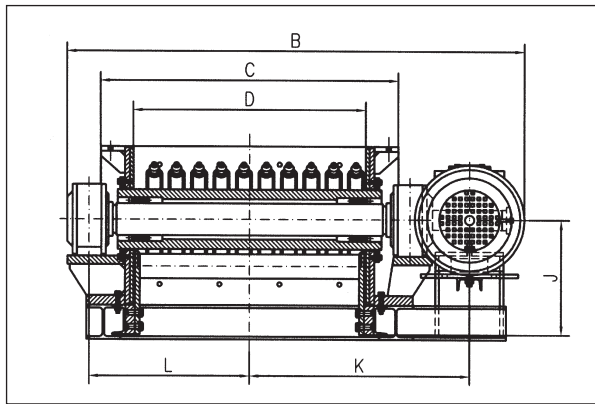
ROTOR :

Axle of F-1252 steel, in compliance with UNE-36012, with removable conical sockets holding the rotor, equipped with spike-holder for carbon tungsten bits, to assure high penetration and durability.

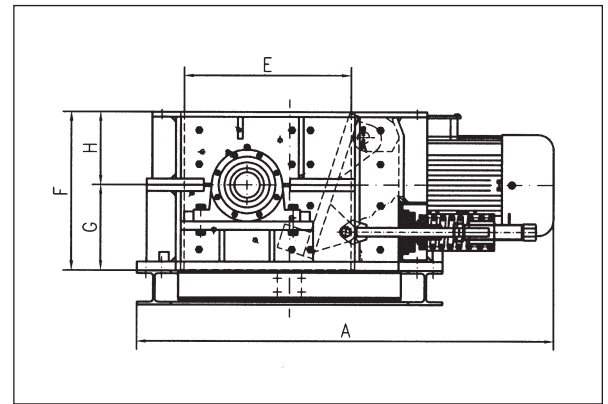
REDUCER:

Tandem type with 3 gear trains and copy in the double axle models and tandem with conical pair in the single axle model. The reducers are specially designed and manufactured to withstand high loads on the pinions and bearings.



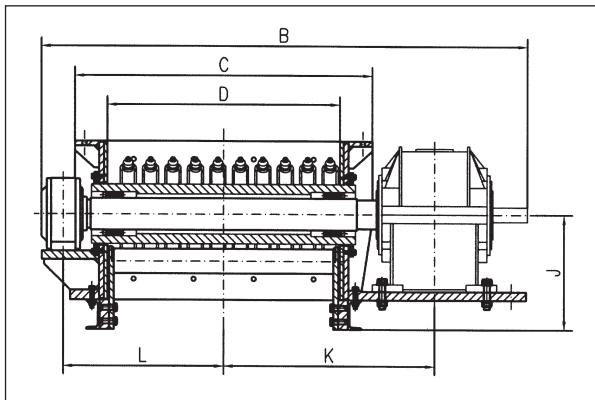


MRT 960-I

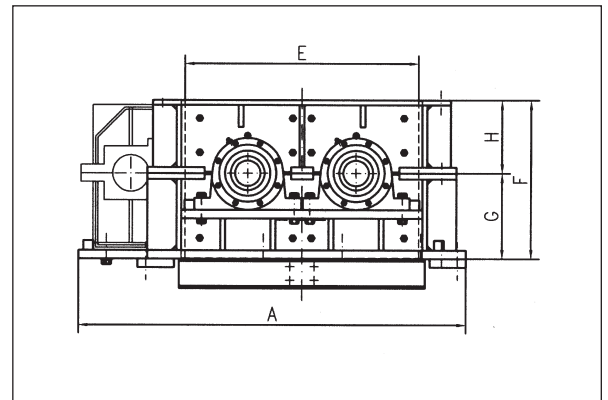


MODEL	A	B	C	D	E	F	G	H	J	K	L
MRT 960-I	1715	1881	1224	954	685	650	350	300	470	904	660
MRT 960-II	1592	2000	1224	954	958	650	350	300	470	867	660
MRT 1500-I	2380	2630	1770	1500	1070	894	463	432	470	1171	982
MRT 1500-II	2245	2767	1770	1500	1500	894	463	432	583	1215	982

NOTE: Custom made models are available upon request for widths of up to 2 m.



MRT 960-II



MODEL	MEASURES Entry mm.	SIZE MAX. Input mm	SIZE Output mm	PRODUCTION m ³ /h	POWER Instalada kw	WEIGHT kg
MRT 960-I	954x685	200	0 - 50	80 - 120	50	3.200
MRT 960-II	954x685	400	0 - 50	150 - 200	90	4.500
MRT 1500-I	1500x1070	300	0 - 50	120 - 180	90	7.000
MRT 1500-II	1500x1500	600	0 - 50	220 - 300	160	10.000



Central Office:

Yanguas y Miranda, I Bajo
Apdo. de Correos n° 359
31080 PAMPLONA
Tel.: 902 153 021
Fax: 948 207 101
e-mail: comercial@triman.es
www.triman.es

Factory:

Pol. Ondarria, s/n.
31800 ALSASUA Navarra