

**CX C-SERIES HYDRAULIC EXCAVATORS
CX470C**

CASE
CONSTRUCTION



**TECHNOLOGY
YOU CAN TRUST**

www.casece.com

**EXPERTS FOR THE REAL WORLD
SINCE 1842**

CX C-SERIES HYDRAULIC EXCAVATORS

Clean power

Case C Series excavators use clean and efficient Tier 4 interim diesel engines.

Equipped with Cooled Exhaust Gas Recirculation (CEGR) and a diesel particulate filter, the engine is capable of meeting emissions regulations without the need for additional diesel exhaust fluids.

Automatic self-regeneration of the Diesel Particulate Diffuser (DPD) ensures no loss of productivity, while low engine rpm, improved hydraulic pump control and five new energy saving systems boost fuel economy by up to 10%.

A green economy gauge can be activated in the cab to inform the operator of the most economical settings for the machine, reporting fuel consumption in real-time.





CX C-SERIES HYDRAULIC EXCAVATORS

Advanced energy management

Through the use of 5 new fuel saving functions, C series excavators speed up productivity and substantially improve fuel economy. The new systems include:

Boom Economy Control (BEC)

Increased fuel efficiency during boom lowering and swing operations.

Automatic Economy Control (AEC)

Improved fuel efficiency when servo joysticks are in neutral position and the operator is not calling for power from the machine.

Swing Relief Control (SWC)

Carefully manages the hydraulic power distribution in slewing operations to provide the most efficient flow and pressure.

Spool Stroke Control (SSC)

Creates an automatic pressure adjustment during digging and leveling, saving fuel while improving controllability for the operator in fine digging operations.

Idle functions:

All C-series excavators also feature Auto Idle and Idle Shut Down systems.

When activated, Auto Idle automatically lowers engine revs, whatever the throttle position, when the levers have been inactive for 5 seconds.

Manually, Idle can be activated by a switch on the joystick. Idle shut down, when activated, shuts down the engine when there has been no activity for 3 minutes, resulting in additional fuel savings.





Increased productivity

As part of the Case Intelligent Hydraulic System all Case C Series excavators benefit from improvements in performance and productivity.

Lifting capacity is increased and cycle times have been cut. Individual operating weights are slightly increased to cope with the additional digging and loading forces, ensuring stable, consistent high production for the customer.

Bucket and boom down regeneration systems feed hydraulic oil back to the supply side of the pump, reducing the requirement for engine power.

The C Series excavators use the same working mode control of the B Series machines, making it easy for the operator to become familiar with the new models. The Super Power Mode provides a 5% boost when required for maximum digging ability.

The new monitor in the C Series machines provides operators with the possibility to pre-programme auxiliary hydraulic flow and power settings (option) for up to 10 attachments, providing rapid changeover and increased productivity.

CX C-SERIES HYDRAULIC EXCAVATORS



Tier 4 interim - clean & efficient

The new Isuzu 6-cylinder engine meets the EPA's Tier 4 interim standards without a need for additional diesel exhaust fluid. The cooled exhaust gas recirculation (CEGR) in triple layer design effectively reduces NOx while PM is reduced by a diesel particulate filter (DPF) in combination with the variable geometry turbocharger.

A diesel oxidation catalyst (DOC) treats carbon monoxide, hydrocarbons and other compounds. Both components are integrated in the Diesel Particle Diffuser (DPD). Automatic self regeneration contributes to your productivity - you can go on working as usual without stopping for the regeneration process of the particle diffuser.

A look under the hood immediately confirms an extremely efficient use of space: the engine, the cooling system and the exhaust system are all designed and grouped so as to take advantage of all the available space, while also providing excellent serviceability and operator visibility

Low engine rpm in combination with further improved pump torque control, 5 new energy saving systems and the hydraulically-driven cooling fan, further reduce fuel consumption by up to 10% and lower noise output.

An ECO gauge can be activated on the new multifunction screen to inform you instantly about the key parameters concerning fuel economy and fuel consumption. Side by side coolers, intercooler and the fuel cooler are now even more efficient thus further increasing our well appreciated durability.



Heavy duty undercarriage

The heavy duty Case undercarriage design ensures long component life and low operating costs.

The undercarriage of the CX470C stands out for the exceptional stability it provides. The narrow trackframe design provides maximum protection to the components. A retractable undercarriage is available for easy transportation to your jobsite as an alternative to the LC chassis.

Sideframe steps are bolted on to allow rapid removal for transportation or repair.

All hydraulic lines are fully protected within the main and side frames to increase durability.

CX470C Mass excavation

A dedicated model for mass excavation provides outstanding breakout force performance. With a special heavy duty attachment, bigger bucket cylinders and optimized kinematics, the CX470C ME works with larger buckets (+60%) than the standard CX470C, delivering industry leading speed, productivity and efficiency. This makes the Mass excavation model the ideal solution when loading trucks. A retractable undercarriage is available for easy transportation to your jobsite as an alternative to the LC chassis.

CX C-SERIES HYDRAULIC EXCAVATORS

First class operator environment

Operator comfort and productivity are enhanced by increased cab space and improved air flow and air conditioning. Sound dampening to automotive standards is achieved with best-in-class soundproofing. The operator enjoys the comfort of a suspension seat and fully adjustable levers as standard. Travel pedals require less effort, reducing fatigue for the operator.

The ROPS cab sits on new suspension mounts, which reduces vibrations and contributes to the lower internal noise levels, resulting in a more comfortable ride.

The cab has a powerful air conditioning system with 25% more airflow that delivers an 8% increase in performance.

New mirrors and a standard rear view camera, with optional side camera, feed directly into the improved 178 mm LED monitor inside the cab, providing the operator with a safe and secure working environment.





Full colour multifunction monitor

The standard 178 mm LED monitor provides all of the information that the operator needs at a glance. Easy to use buttons guide the operator through the screen functions and the monitor can be split to show the standard rear view and optional side view camera images.

The information available on the monitor includes working mode, travel speed, working lights, attachment choice, time and working hours, along with system data such as coolant and hydraulic oil temperatures, fuel level as well as the condition of the particulate filter and the auto-regeneration function.

When selected, the ECO gauge displays the function of the various energy saving systems, allowing the operator to maximise efficiency and save fuel.

The monitor can be set to work in one of 20 languages, and is also used by service technicians to access on-board diagnostic functions.



CX C-SERIES HYDRAULIC EXCAVATORS

First class serviceability

All filters and regular fill points are grouped for easy access, with engine oil change intervals set at 500 hours. A synthetic filter is used for the hydraulic oil, providing 5,000 hour intervals, and all pins and bushes (except the bucket pin) use the Case Extended Maintenance System bushings, allowing greasing intervals of up to 1,000 hours.

The radiator and cooler cores are mounted side by side to allow easy access for cleaning and more efficient cooling. A 100 litre/min refuelling pump with automatic cut off is provided as standard, reducing downtime for regular fills.

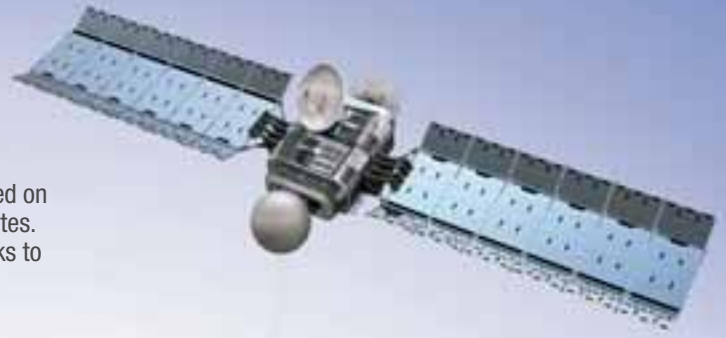
The Japanese-built Case excavators boast an enviable reputation for reliability and durability, which looks set to continue with the new C Series of CX class crawler excavators.





THE SCIENCE BIT

The Case SiteWatch telematics system uses a high-tech control unit mounted on each machine to collate information from that machine and from GPS satellites. This data is then sent wirelessly through the mobile communication networks to the Case Telematics Web Portal.



SiteWatch: centralised fleet control benefits at your fingertips

Measure your true asset availability and optimise it

- Eliminate the “phantom fleet”: SiteWatch allows to identify spare units or under loaded machines on each site.
- Become able to reallocate units where they are more needed.
- Forward Maintenance Planning is easier since the actualised working hours are always available.
- Extend the benefits of SiteWatch to the rest of your fleet: SiteWatch can be installed on the units of other brands as well.

Challenge your Total Cost of Ownership!

- Being able to compare the fuel usage of different machine types will allow you choose the right equipment.
- Save on transport costs with planned and grouped maintenance tasks.
- Peace of mind, optimised uptime and lower repair costs: with preventive maintenance you can for example be alerted if the engine needs to be serviced and avoid a disruptive breakdown.
- Be able to compare your asset Return On Investment on different sites.
- Your equipment is used only during working hours. You can set up alerts so that you know if it is in use during the weekend or at night.
- Integrate with the programmed maintenance package, so that you can be sure every machine is at the right place at the right time.

More Safety, Lower Insurance Premium

- Keep thieves away: dissuade them from attacking your asset because it is geo-localised. SiteWatch is hidden so that thieves can't find it quickly.
- Your fleet is used only where you decide. You can define a virtual fence and receive an email when a machine exits that perimeter.





CX C-SERIES HYDRAULIC EXCAVATORS

CX470C

Specifications

Engine

Model _____ Tier 4 interim certified ISUZU AL-6UZ1X
 Type _____ Water-cooled, 4-cycle diesel, 6-cylinder in line,
 High pressure common rail system (electric control), turbocharger
 with air cooled intercooler, without cooling fan, DPD system
 Number of cylinders _____ 6
 Bore/Stroke _____ 120 x 145 mm
 Horsepower 80/1269/EEC _____ 270 kW @ 2000 min⁻¹
 (without fan-pump)
 Horsepower 80/1269/EEC _____ 245 kW @ 2000 min⁻¹
 (with fan-pump)
 Maximum torque 80/1269/EEC _____ 1435 Nm @ 1500 min⁻¹
 (without fan-pump)

Hydraulic system

Max oil flow _____ 2 x 364 l/min @ 2000 min⁻¹
 2 variable displacement axial piston pumps with regulating system
 Working circuit pressure _____
 Boom/Arm/Bucket _____ 31.4 MPa
 Boom/Arm/Bucket (with auto power up) _____ 34.3 MPa
 Swing circuit _____ 29.4 MPa
 Travel _____ 34.3 Mpa

Swing

Maximum swing speed _____ 9 min⁻¹

Travel

Travel motor _____ Variable displacement axial piston motor
 Max travel speed _____ 5.3 km/h (Automatic travel speed shifting)
 Low travel speed _____ 3.2 km/h
 Gradeability _____ 70% (35°)
 Drawbar pull _____ 340 kN

Electrical system

Battery _____ 2x12V
 Alternator _____ 50 Amp

Undercarriage

Number of carriers rollers (each side) _____ 2
 (Fixed sideframe undercarriage)
 Number of carriers rollers (each side) _____ 3
 (Retractable sideframe undercarriage)
 Number of track rollers (each side) _____ 9
 Number of shoes (each side) _____ 50
 Type of shoe _____ Triple grouser shoe

Capacities

Fuel tank _____ 650 l
 Hydraulic system _____ 460 l
 Cooling system _____ 47 l

Weight and ground pressure

With 3.38 m arm, 2.0 m³ HD bucket.

CX470C	Weight (kg)*	Ground pressure (MPa)
600 mm grouser shoe with fixed sideframe undercarriage	47.800	0.082

* With operator, lubricant, coolant and full fuel tank

CX470C	Weight (kg)*	Ground pressure (MPa)
600 mm grouser shoe with retractable sideframe undercarriage	49.300	0.084

* With operator, lubricant, coolant and full fuel tank

With 2.53 m arm, 3.0 m³ HD bucket.

CX470C MASS EXCAVATOR	Weight (kg)*	Ground pressure (MPa)
600 mm grouser shoe with fixed sideframe undercarriage	48.200	0.083

* With operator, lubricant, coolant and full fuel tank

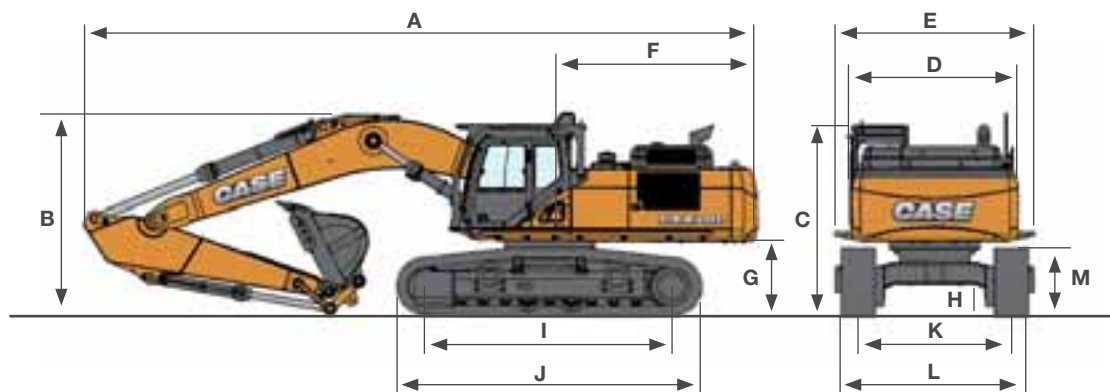
CX470C MASS EXCAVATOR	Weight (kg)*	Ground pressure (MPa)
600 mm grouser shoe with retractable sideframe undercarriage	49.700	0.085

* With operator, lubricant, coolant and full fuel tank

CX C-SERIES HYDRAULIC EXCAVATORS

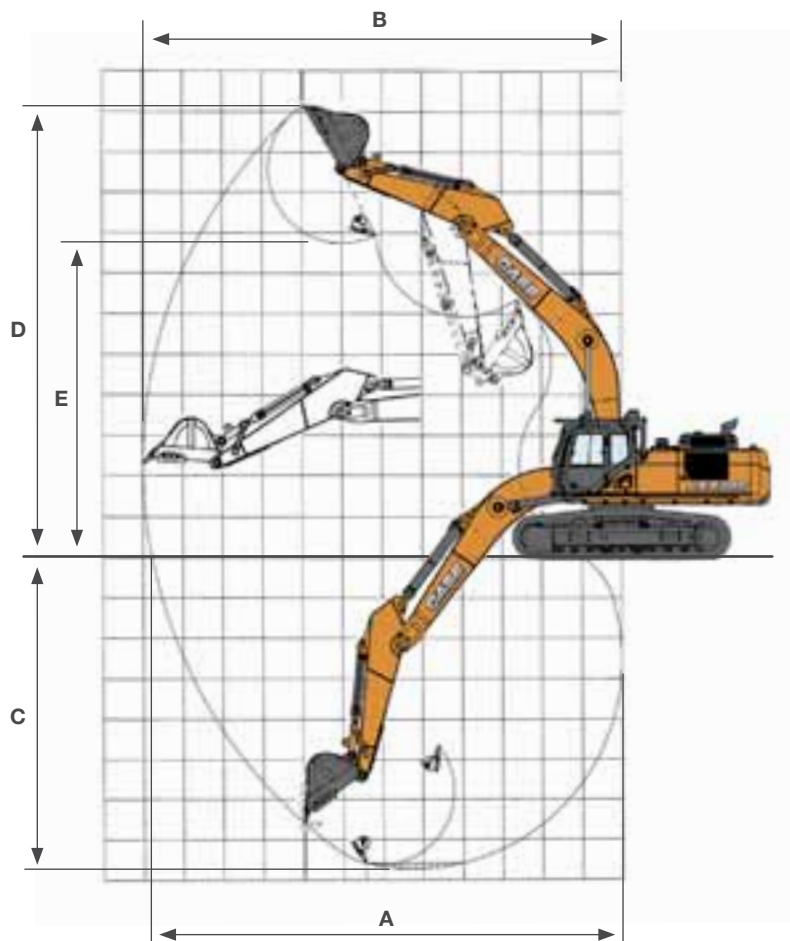
CX470C

General dimensions



	FIXED SIDEFRA ME UNDERCARRI AGE		RETRACTABLE SIDEFRA ME UNDERCARRI AGE	
	Arm 3.38 m	Arm 2.53 m	Arm 3.38 m	Arm 2.53 m
Overall length (without attachment)	6445 mm	6445 mm	6445 mm	6445 mm
A Overall length (with attachment)	12060 mm	12120 mm	12030 mm	12100 mm
B Overall height (with attachment)	3620 mm	3670 mm	3650 mm	3720 mm
C Cab height (Top of head guard)	3440 mm	3440 mm	3590 mm	3590 mm
D Upper structure overall width (without catwalks)	3060 mm	3060 mm	3060 mm	3060 mm
E Upper structure overall width (with catwalks)	3590 mm	3590 mm	3590 mm	3590 mm
F Swing (rear end) radius	3730 mm	3730 mm	3730 mm	3730 mm
G Clearance height under upper structure	1330 mm	1330 mm	1480 mm	1480 mm
H Minimum ground clearance	540 mm	540 mm	740 mm	740 mm
I Wheel base (Center to center of wheels)	4400 mm	4400 mm	4400 mm	4400 mm
J Crawler overall length	5450 mm	5450 mm	5450 mm	5450 mm
K Track gauge (Extended)	2750 mm	2750 mm	2890 mm	2890 mm
Track gauge (Retracted)	-	-	2390 mm	2390 mm
L Undercarriage overall width (Extended) (with 600 mm shoes)	3350 mm	3350 mm	3490 mm	3490 mm
Undercarriage overall width (Retracted) (with 600 mm shoes)	-	-	2990 mm	2990 mm
M Crawler tracks height	1240 mm	1240 mm	1220 mm	1220 mm

Performance data



	FIXED SIDEFAME UNDERCARRIAGE		RETRACTABLE SIDEFAME UNDERCARRIAGE	
	Arm 3.38 m	Arm 2.53 m	Arm 3.38 m	Arm 2.53 m
Boom length	6980 mm	6980 mm	6980 mm	6980 mm
Bucket radius	1840 mm	1840 mm	1840 mm	1840 mm
Bucket wrist action	176°	176°	176°	176°
A Maximum reach at GRP	11770 mm	10990 mm	11740 mm	10950 mm
B Maximum reach	12000 mm	11230 mm	12000 mm	11230 mm
C Max. digging depth	7720 mm	6870 mm	7570 mm	6720 mm
D Max. digging height	11140 mm	10820 mm	11290 mm	10970 mm
E Max. dumping height	7740 mm	7420 mm	7890 mm	7570 mm

Digging force

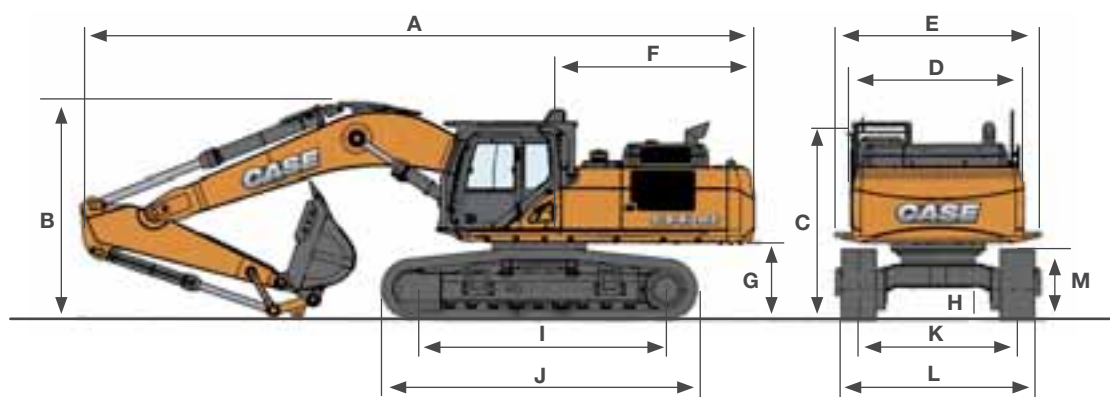
With 2.0 m³ HD bucket (ISO 6015)

	Arm 3.38 m	Arm 2.53 m
Arm digging force	209 kN	257 kN
- with auto power boost	229 kN	281 kN
Bucket digging force	247 kN	247 kN
- with auto power boost	270 kN	270 kN

CX C-SERIES HYDRAULIC EXCAVATORS

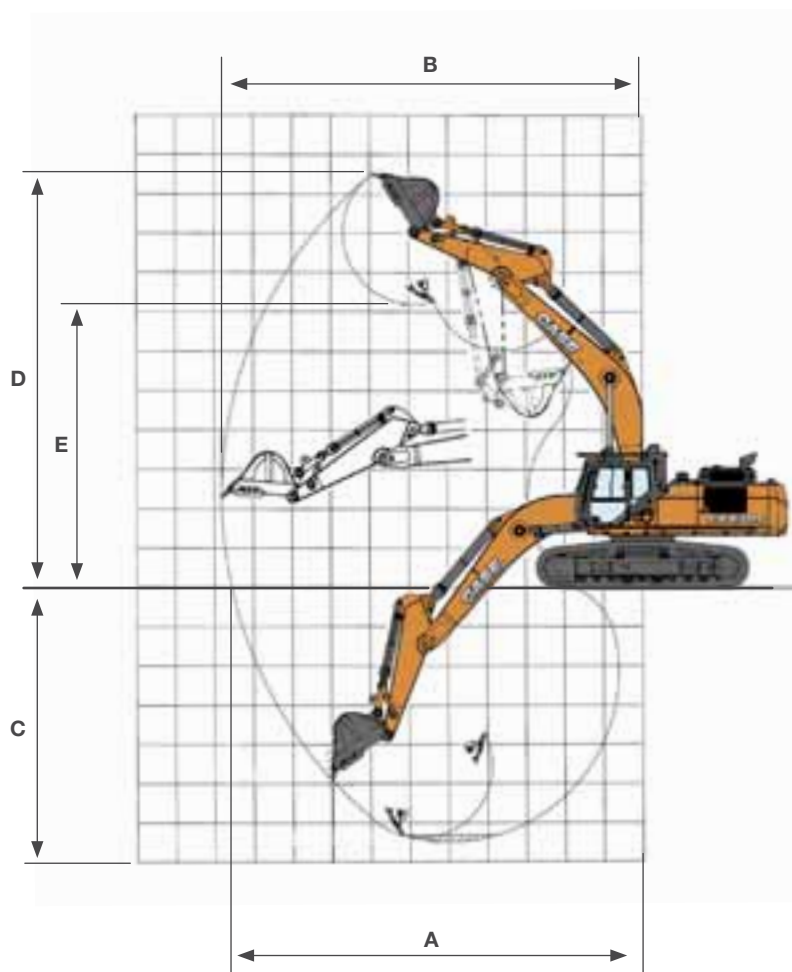
CX470C MASS EXCAVATOR

General dimensions



	FIXED SIDEFRA ME UNDERCARRI AGE	RETRACTABLE SIDEFRA ME UNDERCARRI AGE
	Arm 2.53 m	Arm 2.53 m
Overall length (without attachment)	6445 mm	6445 mm
A Overall length (with attachment)	11680 mm	11660 mm
B Overall height (with attachment)	3780 mm	3820 mm
C Cab height (Top of head guard)	3440 mm	3590 mm
D Upper structure overall width (without catwalks)	3060 mm	3060 mm
E Upper structure overall width (with catwalks)	3590 mm	3590 mm
F Swing (rear end) radius	3730 mm	3730 mm
G Clearance height under upper structure	1330 mm	1480 mm
H Minimum ground clearance	540 mm	740 mm
I Wheel base (Center to center of wheels)	4400 mm	4400 mm
J Crawler overall length	5450 mm	5450 mm
K Track gauge (Extended)	2750 mm	2890 mm
Track gauge (Retracted)	-	2390 mm
L Undercarriage overall width (Extended) (with 900 mm shoes)	3350 mm	3490 mm
Undercarriage overall width (Retracted) (with 900 mm shoes)	-	2990 mm
M Crawler tracks height	1240 mm	1220 mm

Performance data



	FIXED SIDEFRA ME UNDERCARRI AGE	RETRACTABLE SIDEFRA ME UNDERCARRI AGE
	Arm 2.53 m	Arm 2.53 m
Boom length	6550 mm	6550 mm
Bucket radius	1850 mm	1850 mm
Bucket wrist action	161 °	161 °
A Maximum reach at GRP	10560 mm	10520 mm
B Maximum reach	10810 mm	10810 mm
C Max. digging depth	6490 mm	6340 mm
D Max. digging height	10520 mm	10670 mm
E Max. dumping height	7180 mm	7340 mm

Digging force

With 3.0 m³ HD bucket (ISO 6015)

	Arm 2.53 m
Arm digging force	255 kN
- with auto power boost	279 kN
Bucket digging force	286 kN
- with auto power boost	313 kN

CX C-SERIES HYDRAULIC EXCAVATORS

Lifting capacity

Front 360°	REACH							
	1.5 m	3.0 m	4.5 m	6.0 m	7.5 m	9.0 m	10.5 m	At max reach

LC - Short arm. 2.53 m arm length, 2.0 m³ HD bucket, 600G shoes, max reach 10.80 m

9.0 m								7430*	7430*					7090*	7090*	8.4
7.5 m								9720*	9610	8790*	6850			6770*	6080	9.49
6.0 m						11810*	11810*	10560*	9370	9440*	6670			6700*	5110	10.2
4.5 m				18660*	18660*	14460*	12860	11520*	8850	9960*	6390	8020	4690	6800*	4570	10.6
3.0 m				22210*	18360	16430*	11920	12600*	8330	10280	6090	7890	4550	7070*	4320	10.76
1.5 m				18280*	17030	17410*	11180	13290*	7900	10040	5840	7750	4430	7510*	4290	10.68
0 m				21520*	16850	17400*	10780	13240	7610	9850	5670			7860	4480	10.37
-1.5 m			17400*	17400*	22370*	17480	16880*	10810	13060*	7570	9840	5670		8510*	4960	9.8
-3.0 m			24880*	24880*	19950*	17710	15390*	11020	11840*	7750				8210*	5890	8.93
-4.5 m			20070*	20070*	16070*	16070*	12440*	11240	8610*	7990				7460*	7460*	7.69

LC - Standard arm. 3.38 m arm length, 1.8 m³ HD bucket, 600G shoes, max reach 11.50 m

9.0 m										6680*	6680*			4820*	4820*	9.4	
7.5 m										7970*	7100			4610*	4610*	10.37	
6.0 m								9480*	9400*	8740*	6880	7420*	4970	4560*	4420	11.01	
4.5 m						13090*	13070*	10670*	9130	9190*	6560	8070*	4810	4650*	3990	11.39	
3.0 m				20600*	19540	15340*	12350	11920*	8550	9890*	6210	7960	4620	4850*	3770	11.53	
1.5 m				22970*	17870	16880*	11470	12890*	8040	10120	5900	7770	4440	5170*	3720	11.46	
0 m			9940*	9940*	23750*	17110	17400*	10890	13290	7660	9860	5670	7630	4310	5700*	3850	11.17
-1.5 m	10930*	10930*	15560*	15560*	23490*	17200	17190*	10710	13110	7500	9750	5560	7620	4310	6510*	4200	10.64
-3.0 m	17070*	17070*	21320*	21320*	21780*	17440	16300*	10820	12560*	7560	9670*	5660		7790*	4860	9.86	
-4.5 m			25410*	25410*	18760*	17570	14260*	11120	10780*	7850				7490*	6090	8.74	
-6.0 m			17890*	17890*	13780*	13780*	10260*	10260*						6610*	6610*	7.17	

LC - ME short arm. 2.53 m arm length, 3.0 m³ HD bucket, 600G shoes, max reach 10.40 m

9.0 m								7790*	7790*					6000*	6000*	8.13
7.5 m								9410*	9410*	7730*	6560			5660*	5660*	9.22
6.0 m						11460*	11460*	10350*	9280	9100*	6460			5520*	5120	9.92
4.5 m				17640*	17640*	14130*	13030	11410*	8800	9720*	6210			5570*	4560	10.33
3.0 m				21130*	19230	16120*	12090	12450*	8280	10110*	5930			5790*	4290	10.48
1.5 m				23590*	17700	17230*	11290	13110*	7830	9900	5670			6190*	4260	10.4
0 m			13020*	13020*	23940*	17140	17280*	10800	13190*	7510	9710	5490		6850*	4480	10.07
-1.5 m			19130*	19130*	22760*	17450	16810*	10740	12840*	7430	9670	5510		7970*	5020	9.49
-3.0 m			27110*	27110*	20230*	17700	15230*	10960	11410*	7640				8070*	6050	8.61
-4.5 m			20610*	20610*	15890*	15890*	11850*	11070						7200*	7200*	7.34

* Hydraulic capacity 87%

Lifting capacity

Front 360°	REACH							
	1.5 m	3.0 m	4.5 m	6.0 m	7.5 m	9.0 m	10.5 m	At max reach m

RETRACTABLE - Short arm. 2.53 m arm length, 2.0 m³ HD bucket, 600G shoes, max reach 10.80 m

9.0 m								7600*	7600*					7040*	7040*	8.53
7.5 m								10150*	10150*	8840*	7460			6750*	6520	9.58
6.0 m							12450*	12450*	10630*	10130*	9510*	7270		6710*	5560	10.25
4.5 m				19060*	19060*	14680*	13860	11630*	9600	9990*	6980	8300	5180	6830*	5030	10.63
3.0 m				22480*	20020	16570*	12960	12690*	9080	10410*	6680	8160	5040	7100*	4790	10.76
1.5 m				18340*	18340*	17440*	12240	13330*	8660	10360	6430	8030	4920	7570*	4790	10.66
0 m				22100*	18600	17390*	11880	13370*	8380	10190	6270			8210	5020	10.32
-1.5 m			17920*	17920*	22180*	19330	16780*	11920	12980*	8370	10100*	6300		8500*	5580	9.73
-3.0 m			25050*	25050*	19640*	19210*	15170*	12150	11640*	8560				8160*	6650	8.83
-4.5 m			19350*	19350*	15560*	15560*	12020*	12020*	7830*	7830*				7370*	7370*	7.54

RETRACTABLE - Standard arm. 3.38 m arm length, 1.8 m³ HD bucket, 600G shoes, max reach 11.50 m

9.0 m										7020*	7020*			4790*	4790*	9.52	
7.5 m										8050*	7720			4600*	4600*	10.45	
6.0 m								9570*	9570*	8770*	7470	7650*	5460	4570*	4570*	11.06	
4.5 m			12430*	12430*	17390*	17390*	13330*	13330*	10800*	9880	9240*	7150	8120*	5300	4660*	4400	11.41
3.0 m					20930*	20930*	15540*	13380	12040*	9300	9960*	6800	8230	5100	4870*	4200	11.53
1.5 m					23120*	19590	16980*	12520	12960*	8790	10410	6490	8040	4920	5210*	4170	11.44
0 m			10620*	10620*	23840*	18860	17400*	11960	13340*	8420	10190	6260	7910	4800	5760*	4340	11.12
-1.5 m	11670*	11670*	16090*	16090*	23370*	19030	17140*	11820	13180*	8290	10090	6180	7610*	4820	6600*	4750	10.58
-3.0 m	17520*	17520*	22020*	22020*	21540*	19290	16160*	11930	12450*	8370	9530*	6300			7780*	5500	9.76
-4.5 m			24790*	24790*	18370*	18370*	13970*	12210*	10500*	8660					7420*	6920	8.61
-6.0 m					13120*	13120*	9660*	9660*							6430*	6430*	6.97

RETRACTABLE - ME short arm. 2.53 m arm length, 3.0 m³ HD bucket, 600G shoes, max reach 10.40 m

9.0 m									8080*	8080*					5950*	5950*	8.26
7.5 m									9470*	9470*	8310*	7180			5650*	5650*	9.31
6.0 m							12240*	12240*	10470*	10000*	9160*	7060			5530*	5530*	9.98
4.5 m					17970*	17970*	14350*	13860	11520*	9560	9780*	6810			5590*	5030	10.36
3.0 m					21460*	20920	16270*	13140	12530*	9040	10270*	6520			5820*	4780	10.48
1.5 m					23690*	19450	17270*	12350	13150*	8590	10230	6270			6250*	4780	10.38
0 m			13820*	13820*	23890*	18960	17270*	11880	13180*	8280	10040	6100			6960*	5050	10.03
-1.5 m	13540*	13540*	19820*	19820*	22570*	19320	16710*	11860	12750*	8230	9630*	6150			8110*	5670	9.42
-3.0 m			26680*	26680*	19890*	19230	14990*	12100	11170*	8480					8060*	6870	8.5
-4.5 m			19770*	19770*	15310*	15310*	11350*	11350*							7050*	7050*	7.18

* Hydraulic capacity 87%

STANDARD EQUIPMENT

ENGINE

Isuzu 6-cylinder turbo-charged diesel
 Certified Tier 4 interim (CEGR)
 Electronic fuel injection
 High pressure common rail system
 Variable geometry turbo charger
 Multiple exhaust gas recirculation
 Diesel Particulate diffuser System (DPD)
 Neutral safety start
 Auto-engine warm up, emergency stop
 Glow-plug pre-heat
 Idle System:
 Auto-idle
 One-touch idle
 Idle shut-down
 EPF (Engine Protection Feature)
 Dual-stage fuel filtration
 Dual element air filter
 Remote oil filter
 Green plug oil drain
 500-hour engine oil change interval
 Refuel pump

HYDRAULICS

Hydraulic reversing cooling fan
 Auto power boost

Auto swing priority
 Auto travel speed change
 Selectable work modes
 Overload warning device
 SWC - Swing Relief Control
 SSC - Spool Stroke Control
 BEC - Boom Economy Control
 AEC - Auto Economy Control
 SEC - Swing Economy Control
 ISO pattern controls
 Pre-set auxiliary pump settings
 Switch controlled auxiliary selection
 Auxiliary valve
 Auxiliary pipe brackets
 5,000 hour hydraulic oil change interval
 1,000 hour hydraulic filter change interval
 Hydraulic track adjustment
 SAHR brake

UPPERSTRUCTURE

Isolation mounted cab (fluid and spring)
 Common key vandal locks
 Swivel guard belly pan
 Rear view safety camera

ATTACHMENT

Monoboom 6.98 m (ME: 6.55 m)
 Arm 2.53/3.38 m (ME: 2.53 m only)

Bucket linkage w/hook
 Boom-mounted work light (70 watt)
 Auxiliary pipe brackets
 Centralized lube bank
 Attachment cushion valve
 Arm and boom regeneration
 Arm and boom hose burst check valves
 EMS bushings (except bucket) – greasing interval up to 1000 hours

OPERATOR STATION

ROPS protection
 FOPS guard OPG level II
 Pressurized cab
 Tempered safety glass
 One-touch lock front window
 Sun visor & rain deflector
 AC/heat/defrost w/ auto climate control
 Hot & coolbox, cup holder & ashtray
 Interior dome light
 Cloth-covered air-suspension seat
 Seat belt
 Adjustable armrests
 Tilting consoles - 4-position
 Low-effort controls (short)
 Sliding cockpit (180 mm)
 Controls pre-wired for auxiliary
 Auxiliary select system

Straight travel
 Aux-in port for personal electronics
 Multifunction color monitor
 Rear-view camera
 Anti-theft system (start code system)
 Rubber floor mat
 12-volt electric socket
 24-volt cigarette lighter
 One-piece right hand window
 2 internal & 3 external view mirrors
 2 working lights (boom & upperstructure)
 2 cab top working lights
 Windshield wiper / washer
 Clear (Lexan) roof window w/ sunshade
 Storage compartments
 On-board diagnostic system
 Travel alarm with cancel switch

UNDERCARRIAGE

600 mm steel shoes, triple semigrouser
 Full overlap turntable bearing tub
 Double track guides

OPTIONS

HYDRAULICS

Auxiliary Hydraulics -
 Single acting pedal-activated breaker circuit
 Pedal activated multifunction circuit
 Pedal activated multifunction circuit w/pressure control
 Pedal activated low-flow circuit

ATTACHMENT

Hydraulic or mechanic quickcoupler
 Buckets: Extreme / Heavy duty / GP / ditching
 Hammers, shears, grapples

OPERATOR STATION

Front cab guard - vertical bars (OPG level 2)
 Front cab guard - vertical bars

(OPG level 1)
 Front mesh screen
 AM/FM CD/radio w/ antenna and 2-speakers
 Side-view camera

UPPERSTRUCTURE

Auto centralized greasing system
 Rubber bumper guard
 (order through Service Parts)

UNDERCARRIAGE

Steel shoes, triple semi-grouser 750 / 900mm
 Steel shoes, triple semi-grouser
 Full track guide

Standard and optional equipment shown can vary by country.

CASE CONSTRUCTION EQUIPMENT CONTACT INFORMATION

CNH UK LTD

Unit 4, Hayfield Lane Business Park, Field Lane, Auckley, Doncaster, DN9 3FL
UNITED KINGDOM
 Tel: 800 2273 7373

CNH INDUSTRIAL ITALIA SPA

Strada di Settimo, 323
 10099 San Mauro Torinese (TO)
ITALIA
 Tel: 800 2273 7373

CNH INDUSTRIAL DEUTSCHLAND GMBH

Case Baumaschinen
 Benzstr. 1-3 - D-74076 Heilbronn
DEUTSCHLAND
 Tel: 800 2273 7373

CNH INDUSTRIAL MAQUINARIA SPAIN, S.A.

Avda. José Gárate, 11
 28823 Coslada (Madrid)
ESPAÑA
 Tel: 800 2273 7373

CNH INDUSTRIAL FRANCE, S.A.

16-18 Rue des Rochettes
 91150 Morigny-Champigny
FRANCE
 Tel: 800 2273 7373

NOTE: Standard and optional fittings can vary according to the demands and specific regulations of each country. The illustrations may include optional rather than standard fittings - consult your Case dealer. Furthermore, CNH Industrial reserves the right to modify machine specifications without incurring any obligation relating to such changes.

Conforms to directive 2006/42/EC