

**D-SERIES CRAWLER EXCAVATORS  
CX300D | CX350D | CX370D**

**CASE**  
CONSTRUCTION



**TIER 4  
FINAL**  
EU STAGE IV

**IT'S TIME  
FOR MORE**

[www.casece.com](http://www.casece.com)  
**EXPERTS FOR THE REAL WORLD**  
**SINCE 1842**

# HERITAGE

## A TRADITION OF INDUSTRY FIRSTS



## EXPERTS FOR THE REAL WORLD SINCE 1842

**1842** Case is founded.

**1869** The first Case portable steam engine - road construction is born.

**1957** The first factory - integrated loader/backhoe in the world: a Case industry first.

**1969** Case begins skid steer loader production.

**1998** Case expands its supply agreement with Sumitomo to offer excavator solutions to customers worldwide.

**2001** Case introduces the first of its CX excavators, powerful new "thinking machines," designed to enhance productivity through onboard intelligence features.

**2007** CX210B is awarded the «Good Design Award» by the design Academy of JAPAN.

**2008** CX210B wins the 18th «Energy Conservation Award» from the Agency for Natural Resources and Energy of the Japanese Ministry of Economy.

**2011** CASE becomes the first construction equipment manufacturer to offer both selective catalytic reduction and cooled exhaust gas recirculation as solutions to meet stringent emissions standards.

**2015** Case launches the new "D series" Tier 4 final/ EU Stage IV Crawler Excavators.

# CRAWLER EXCAVATORS D-NA

## BUILT TO LAST AND CONTROL



### HIGH RELIABILITY

Improved design for durable performances

- The boom and arm have been re-designed according to the latest stress analysis criteria, to reduce stress points while maintaining weight optimization to ensure the best lifting performance.
- New high strength casting parts with joined hinge flanges reduce stress and increase durability.
- The undercarriage has been re-designed and re-shaped to facilitate the welding process, enhancing the reliability of the fabricated structures.
- The One-Side-Slope lower frame design reduces the time needed to clean the undercarriage.
- The thickness of the structural plates has been increased, especially in those parts where a high level of protection is required for components.

### CASE CX STANDS FOR HIGH QUALITY

Accurate, simple and robust design for high durability

- True to Case's enviable reputation for reliability and durability, the D-series delivers leading design solutions and manufacturing quality.
- Wide choice of arm solutions, including the heavy-duty arm with reinforcement plate and bars on the bottom side.
- Standard heavy-duty boom and arm on the CX370D.



### HIGH PRECISION AND CONTROLLABILITY

Smooth control with the CASE Intelligent Hydraulic System

The proven Case Intelligent Hydraulic System (CIHS) delivers energy savings in all cycle time phases (digging, boom up and swing, dumping).

# D-SERIES CRAWLER EXCAVATORS



## HIGH VERSATILITY

Working modes easily adapt to every work load

The familiar **working mode systems** offers 3 power modes to match different customer needs.

- A** A-MODE: for grading, lifting and precision work.
- H** H-MODE: the best balance between productivity and fuel economy.
- SP** SP-MODE: extra speed and power for the most demanding jobs that require maximum productivity.

- **Auto Power boost** automatically increases hydraulic pressure according to the operation's demands.



## FAST CYCLES

High Performance Hydraulics control

- The new electrically controlled pumps and a bigger main control valve deliver faster cycle times.
- Oil flow can be adjusted according to working needs, or increased smoothly while starting travel and boom down.
- As a result, the machine responsiveness to operation load is multiplied, resulting in cycle times up to **12% faster** than the previous generation.

# PRODUCTIVITY BIGGER PERFORMANCE



## HIGH EFFICIENCY

### Great performances WITH low fuel consumption

CASE advanced energy management provides solid fuel saving opportunities and lower emissions and helps to prolong the life of the machine. It consists of **5** Energy Saving controls:

- Torque control decreases main pump loads to prevent a drop in engine rpm, with improved sensitivity to control/monitor main pump loads.
- Boom Economy Control (BEC) Increased fuel efficiency during boom lower and swing operations, like dump unloading.
- Swing Relief Control (SWC) Carefully manages the hydraulic power distribution in slewing operations to deliver the most efficient flow and pressure.
- Spool Stroke Control (SSC) Creates an automatic pressure adjustment during digging and leveling operations.
- Idle functions: the Auto Idle function lowers engine RPM after 5 seconds of lever inactivity whatever the throttle position, while the Idle Shutdown function shuts the engine down after 3 minutes of inactivity. Both are manually switchable.



## CLEAN AND MAINTENANCE-FREE POWER

### EU STAGE IV/TIER4 FINAL compliant Case engines

- Maintenance-free SCR and DOC-only solution.
- No Diesel Particulate Filter (DPF) or regeneration are required as no solid particles remain trapped into the system, resulting in maximum uptime and lower operating costs.
- The high engine efficiency of the latest generation, electronically controlled, high pressure common rail with multi-injection engine ensures great performance and low fuel consumption.
- Case adds a variable geometry turbo charger to increase exhaust gas recirculation efficiency without losing power.
- High AdBlue Autonomy with The large AdBlue tank (just 1 refill every 5 refuelling stops) and low additive consumption, so that Case customers will be able to work longer hours without pause.

# D-SERIES CRAWLER EXCAVATORS



## COMFORTABLE AND SAFE CAB

Ergonomic seat design and spacious cab

- Superior cab structure with ample legroom for the operator.
- Fully adjustable workstation.
- New ergonomically designed highback seat with air suspension for excellent comfort.
- Optional seat tilting adjustment and seat heater
- Top class features include 178 mm colour LED Monitor, bluetooth tuner and Radio, spacious storage compartment, 12v accessory plug, clipboard holder, mobile phone holder, warm and cool box, fuse box service connection, storage tray and ergonomic arm rest.



## SMOOTH RIDE, QUIET WORK ENVIRONMENT

Soundproof  
pressurised cab

The cushioning system lowers noise and vibration levels for the operator's ultimate comfort.



# COMFORT RULES FIRST CLASS CAB AND SEAT



# D-SERIES CRAWLER EXCAVATORS



## SAFE OPERATION

### ROPS Cab and FOPS level II

A safe working environment for the operator:

- Reinforced structure of the cab compliant with ROPS/FOPS requirements.
- Standard head protection approved to FOPS Level 2.
- Wide offering of optional front guards.
- Optional factory fitted travel alarm for greater safety on the jobsite around the machine.



## OUTSTANDING VISIBILITY

### Safety-minded cab structure

Cab designed to create a perceptibly safe and secure working environment:

- Ample glazed surface.
- Standard rear view camera with optional side camera.
- Unique 178 mm LED monitor with continuous camera view.
- Efficient use of space with grouped engine, cooling and after-treatment systems to provide excellent rear visibility.
- Optional LED lighting package provides a deeper and wider visibility coverage of the area around the machine when working after dark.





# SAFETY AND MAINTENANCE

## WORK SAFELY IN ALL CONDITIONS



### SAFE ACCESS TO UPPERCARRIAGE

Solid and robust platform  
and handrails

- Wide, robust and comfortable steps for safe access to the top of the hood.
- Solid handrail for protection on the top of the hood.
- Non slip-plates and top hood cover supported by 2 gas pistons and secured by 2 mechanical stops when open.
- A wide platform (up to 60 cm) on top of the engine compartment to work safely on the engine box.



### SAFE AND EASY MAINTENANCE

Case stays «grounded»

- All filters and regular fill points are grouped for easy access.
- Engine oil change intervals set at 500 hours.
- Radiator and cooler cores mounted side by side for easy access for cleaning and more efficient cooling.
- Standard 100 l/min refueling pump with automatic cut off reduces downtime for regular fills.
- Optional hydraulic and engine oil sampling port accessible at ground level for easy oil check.
- Battery Shutdown Switch for safe maintenance on the electrical system.



# MAIN REASONS TO CHOOSE THE D-SERIES



## HIGH EFFICIENCY

- Energy saving system to take advantage of all fuel saving opportunities: up to 8% more fuel efficiency
- High levels of AdBlue autonomy with larger AdBlue tank and low additive consumption



## HIGH PRECISION AND CONTROLLABILITY

CIHS (CASE intelligent Hydraulic system)  
Synonymous with high performance  
smooth control.



## HIGH RELIABILITY

Reliability and durability thanks  
to the new redesigned arm,  
boom and undercarriage.



## FAST CYCLES

- New electronically controlled hydraulic pumps
- New larger main valve





## OUTSTANDING VISIBILITY

- Wide glazed area
- Large LED monitor with real time camera focus
- Optional LED lighting package



## SMOOTH RIDE, QUIET WORK ENVIRONMENT

- Cab with cushioning system
- Low noise and vibration



## COMFORTABLE AND SAFE CAB

- Extra spacious cab
- Fully adjustable workstation
- New high back seat



## CLEAN AND MAINTENANCE-FREE POWER

- EU Stage IV/Tier4 final compliant
- No DPF
- DOC and SCR-only maintenance-free components



## SAFE OPERATION AND MAINTENANCE

- ROPS cab and FOPS level II
- Standard extended handrails and guardrails
- Optional factory fitted travel alarm



## HIGH VERSATILITY

- 3 available power modes to match customers needs (A, H, SP)
- Auto Power boost job-sensing hydraulic pressure increase.





## THE SCIENCE BIT

The Case SiteWatch telematics system uses a high-tech control unit mounted on each machine to collate information from that machine and from GPS satellites. This data is then sent wirelessly through the mobile communication networks to the Case Telematics Web Portal.



## SiteWatch: centralised fleet control benefits at your fingertips

### 📶 Measure your true asset availability and optimise it

- Eliminate the “phantom fleet”: SiteWatch allows to identify spare units or under loaded machines on each site.
- Become able to reallocate units where they are more needed.
- Forward Maintenance Planning is easier since the actualised working hours are always available.
- Extend the benefits of SiteWatch to the rest of your fleet: SiteWatch can be installed on the units of other brands as well.

### 📶 Challenge your Total Cost of Ownership!

- Being able to compare the fuel usage of different machine types will allow you choose the right equipment.
- Save on transport costs with planned and grouped maintenance tasks.
- Peace of mind, optimised uptime and lower repair costs: with preventive maintenance you can for example be alerted if the engine needs to be serviced and avoid a disruptive breakdown.
- Be able to compare your asset Return On Investment on different sites.
- Your equipment is used only during working hours. You can set up alerts so that you know if it is in use during the weekend or at night.
- Integrate with the programmed maintenance package, so that you can be sure every machine is at the right place at the right time.

### 📶 More Safety, Lower Insurance Premium

- Keep thieves away: dissuade them from attacking your asset because it is geo-localised. SiteWatch is hidden so that thieves can't find it quickly.
- Your fleet is used only where you decide. You can define a virtual fence and receive an email when a machine exits that perimeter.



## STANDARD EQUIPMENT

### ENGINE

Isuzu 6-cylinder turbo-charged diesel  
Tier 4 Final/EU stage IV Certified  
Selective Catalytic Reduction – SCR  
Diesel Oxidation Catalyst – DOC  
Cooled Exhaust Gas Recirculation – CEGR  
VGT turbocharger  
Electronic fuel injection  
High pressure common rail system  
Neutral safety start  
Auto-engine warm up, emergency stop  
Glow-plug pre-heat  
EPF (Engine Protection Feature)  
Dual-stage fuel filtration  
Dual element air filter  
Remote oil filter  
Green plug oil drain  
500-hour engine oil change interval  
24-Volt system  
Battery disconnect switch  
High ambient temperature cooling package  
External Fuel and AdBlue gauges  
Fuel cooler  
Fuel filter restriction indicator  
Fuel shut-off valve  
Idle start  
Radiator, oil cooler, intercooler – protective Screen  
Refueling Pump

### FUEL ECONOMY SYSTEMS

Engine Idle/Fuel Economy System:  
Auto-idle  
One-touch idle  
Auto-idle shut-down  
Torque control  
BEC – Boom Economy Control  
SWC – Swing Relief Control  
SSC – Spool Stroke Control

## OPTIONAL EQUIPMENT

### OPTIONAL HYDRAULICS

Clamshell circuit (CX300D only)  
Low-flow circuit, proportional control  
Single acting pedal activated hammer circuit  
Single acting hammer circuit with electrical proportional control  
Pedal activated multifunction (hammer/high flow) circuit  
Multifunction (hammer/high flow) circuit with electrical proportional control

### ATTACHMENTS

Arm - 2.65/3.66 m (CX300D)

### HYDRAULICS

Electronically controlled hydraulic pumps  
Auto power boost  
Auto travel speed change  
Selectable work modes  
Overload warning device  
ISO pattern controls  
Pre-set auxiliary pump settings  
Switch controlled auxiliary selection  
Auxiliary valve  
Hydraulic filter restriction indicator  
Oil cooler  
5,000 hour hydraulic oil change interval  
1,000 hour hydraulic filter change interval

### UPPERSTRUCTURE

ISO mirrors  
Handrail – RH access  
ISO guard rails  
Isolation mounted cab (fluid and spring)  
Lifting eyes for counterweight  
Lockable fuel cap, service doors and toolbox  
Rear view safety camera

### OPERATOR STATION

ROPS protection  
FOPS guard OPG level II  
Pressurized cab  
Tempered safety glass  
One-touch lock front window  
Sun visor&rain deflector  
AC/heat/defrost w/auto climate control  
Hot&coolbox, cup holder & ashtray  
Interior dome light  
Cloth covered air-suspension high-back seat  
Sliding seat – 90 mm  
Seat-belt  
Adjustable armrests

Arm - 2.21/2.63/4.04 m (CX350D)  
Arm - 2.21/2.63 (CX370D)  
Hydraulic quick coupler provision  
Safety valves and bucket linkage with hook

### OPERATOR STATION

Front cab guard - vertical bars (OPG level 2)  
Front cab guard - vertical bars (OPG level 1)  
Front mesh screen  
Travel alarm  
AM/FM CD/radio with antenna and 2-speakers  
LED working lights

Tilting consoles - 4-position  
Low-effort joystick controls  
Sliding cockpit 180 mm  
Auxiliary select system  
Aux-in port for personal electronics  
Multifunction LED color monitor (180 mm)  
26 selectable languages for monitor  
Anti-theft system (start code system)  
Rubber floor mat  
12-volt electric socket  
24-volt cigarette lighter  
One-piece right hand window  
2 internal & 3 external view mirrors  
2 working lights (boom&upperstructure)  
2 cab top working lights  
Windshield wiper / washer  
Clear (Lexan) roof window w/sunshade  
Storage compartments  
On-board diagnostic system  
Torque control

### ATTACHMENTS

Standard boom 6.15 m (CX300D)  
Standard boom 6.45 m (CX350D/CX370D)  
Arm 3.18 m (CX300D)  
Arm 3.25 (CX350D/CX370D)  
Boom mounted work light  
Auxiliary pipe brackets  
Centralized lube bank  
Attachment cushion valve

### UNDERCARRIAGE

600 mm steel shoes, triple semi grouser  
Full overlap turntable bearing tub  
Sealed link chain  
Lashing points

SIDE VIEW CAMERA with LED lights (right and left)

### UNDERCARRIAGE

Steel shoes, triple semi-grouser  
700mm, 800mm (CX300DLC, CX350D and CX370D only)  
Safety valves and bucket linkage with hook

### TELEMATICS

Three (3) year SiteWatch “Advanced” subscription with remote monitoring and one user’s licence

# CX D-SERIES

## CX300D

### ENGINE

Model \_\_\_\_\_ ISUZU AQ-6HK1X  
 Type \_\_\_\_\_ Water-cooled, 4-cycle diesel, 6-cylinder in line, High pressure common rail system (electric control), Turbocharger with air cooled intercooler, SCR system.

Number of cylinders / Displacement \_\_\_\_\_ 6 / 7,79 l  
 Bore & stroke \_\_\_\_\_ 115 mm x 125 mm

#### Rated flywheel horse power

ISO 9249 \_\_\_\_\_ 154 kW at 1800 min<sup>-1</sup>  
 ISO 14396 \_\_\_\_\_ 161 kW at 1800 min<sup>-1</sup>

#### Maximum torque

ISO 9249 \_\_\_\_\_ 849 Nm at 1500 min<sup>-1</sup>  
 ISO 14396 \_\_\_\_\_ 880 Nm at 1500 min<sup>-1</sup>

### HYDRAULIC SYSTEM

Main pumps \_\_\_\_\_ 2 variable displacement axial piston pumps with regulating system

Max. oil flow \_\_\_\_\_ 2 x 243 liter/min at 1800 min<sup>-1</sup>

#### Working circuit pressure

Boom/Arm/Bucket \_\_\_\_\_ 34.3 MPa - 37.3 MPa with auto power boost

Swing circuit \_\_\_\_\_ 30.4 MPa

Travel circuit \_\_\_\_\_ 34.3 MPa

Pilot pump \_\_\_\_\_ 27 liter/min

Working circuit pressure \_\_\_\_\_ 3.9 MPa

#### Boom Cylinders

Bore \_\_\_\_\_ 140 mm

Stroke \_\_\_\_\_ 1369 mm

#### Arm Cylinder

Bore \_\_\_\_\_ 150 mm

Stroke \_\_\_\_\_ 1650 mm

#### Bucket Cylinder

Bore \_\_\_\_\_ 135 mm

Stroke \_\_\_\_\_ 1104 mm

### SWING

Swing Motor \_\_\_\_\_ Fixed displacement axial piston motor

Maximum swing speed \_\_\_\_\_ 10.0 min<sup>-1</sup>

Swing torque \_\_\_\_\_ 92,400 Nm

### PERFORMANCE DATA CX300D

	Arm 3.18 m	Arm 2.65 m	Arm 3.66 m
Boom length	6150 mm	6150 mm	6150 mm
Bucket radius	1570 mm	1570 mm	1570 mm
Bucket wrist action	176°	176°	176°
A Maximum reach at GRP	10490 mm	10030 mm	10980 mm
B Maximum reach	10670 mm	10220 mm	11160 mm
C Max. digging depth	7100 mm	6570 mm	7580 mm
D Max. digging height	10050 mm	9930 mm </td <td>10390 mm</td>	10390 mm
E Max. dumping height	7080 mm	6930 mm	7390 mm

### DIGGING FORCE (ISO 6015)

	Arm 3.18 m	Arm 2.65 m	Arm 3.66 m
Arm digging force	128.4 kN	147.0 kN	114.3 kN
with Auto power boost	139.6 kN	159.9 kN	124.3 kN
Bucket digging force	175.0 kN	175.0 kN	175.0 kN
with Auto power boost	190.3 kN	190.3 kN	190.3 kN

### FILTERS

Suction filter \_\_\_\_\_ 105 µm

Return filter \_\_\_\_\_ 6 µm

Pilot line filter \_\_\_\_\_ 8 µm

### ELECTRICAL SYSTEM

Voltage \_\_\_\_\_ 24 V

Alternator \_\_\_\_\_ 50 Amp

Starter \_\_\_\_\_ 24 V 5.0 kW

Battery \_\_\_\_\_ 2X12V 128 Ah/5 HR

### UNDERCARRIAGE

Travel motor \_\_\_\_\_ Variable displacement axial piston motor

High travel speed (Automatic travel speed shifting) \_\_\_\_\_ 5.4 km/h

Low travel speed \_\_\_\_\_ 3.2 km/h

Drawbar pull \_\_\_\_\_ 233 KN

Number of carrier rollers (each side) \_\_\_\_\_ 2

Number of track rollers (each side) \_\_\_\_\_ 9

Number of shoes (each side) \_\_\_\_\_ 50

Type of shoe \_\_\_\_\_ Triple grouser shoe

Grade ability \_\_\_\_\_ 70 % (35°)

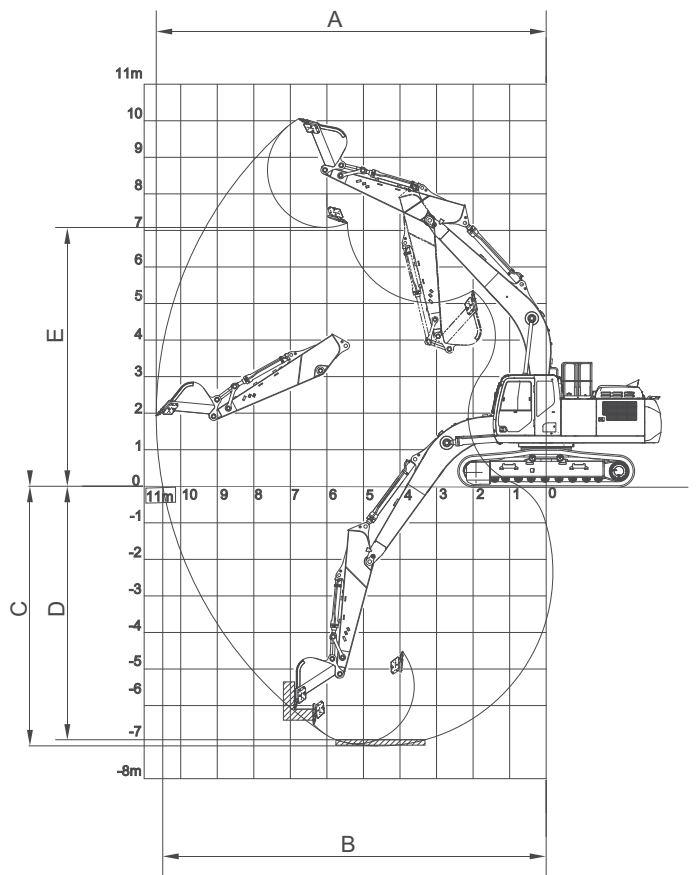
### CIRCUIT AND COMPONENT CAPACITIES

Fuel tank \_\_\_\_\_ 457 l

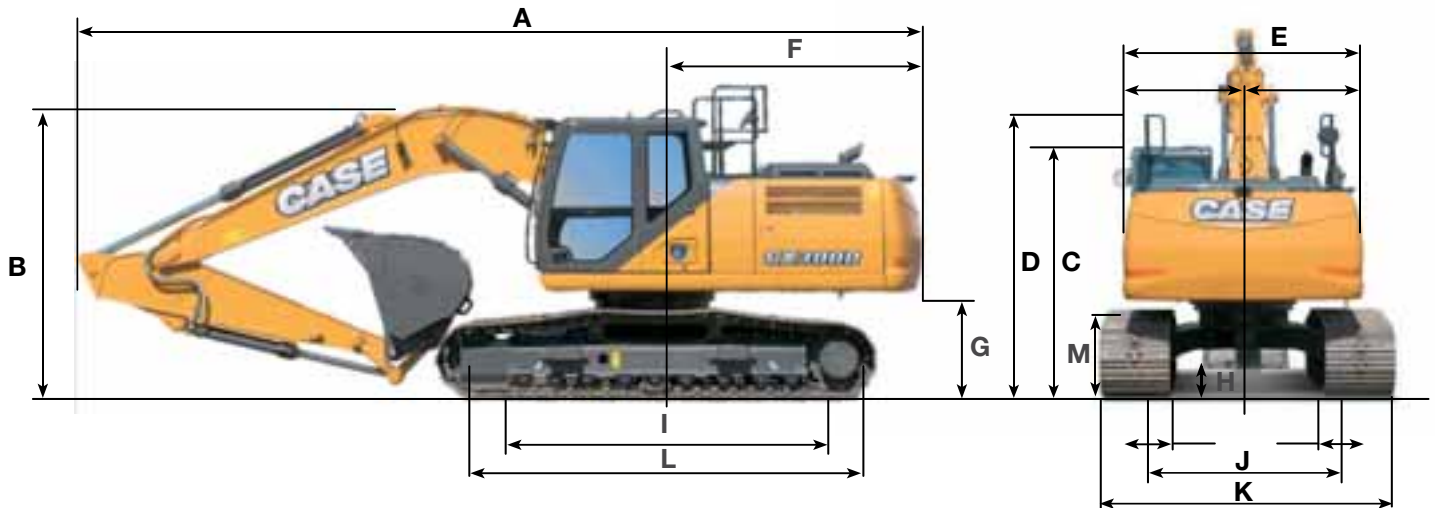
Hydraulic system \_\_\_\_\_ 300 l

Hydraulic tank \_\_\_\_\_ 147 l

Adblue tank \_\_\_\_\_ 120 l



## GENERAL DIMENSIONS



LC/NLC	Arm 3.18 m	Arm 2.65 m	Arm 3.66 m
Overall length (without attachment)	5580 mm	5580 mm	5580 mm
<b>A</b> Overall length (with attachment)	10510 mm	10520 mm	10500 mm
<b>B</b> Overall height (to top of boom)	3350 mm	3340 mm	3460 mm
<b>C</b> Cab height	3210 mm	3210 mm	3210 mm
<b>D</b> Overall height (to top of guardrail)	3420 mm	3420 mm	3420 mm
<b>E</b> Upper structure overall width	2890 mm	2890 mm	2890 mm
<b>F</b> Swing (rear end radius)	3160 mm	3160 mm	3160 mm
<b>G</b> Clearance height under upper structure	1190 mm	1190 mm	1190 mm
<b>H</b> Minimum ground clearance	460 mm	460 mm	460 mm
<b>I</b> Wheel base (Center to center of wheels)	3980 mm	3980 mm	3980 mm
<b>L</b> Crawler overall length	4850 mm	4850 mm	4850 mm
<b>M</b> Crawler tracks height	1040 mm	1040 mm	1040 mm
<b>LC</b>	<b>Arm 3.18 m</b>	<b>Arm 2.65 m</b>	<b>Arm 3.66 m</b>
<b>J</b> Track gauge	2600 mm	2600 mm	2600 mm
<b>K</b> Undercarriage overall width (with 600 mm shoes)	3200 mm	3200 mm	3200 mm
<b>NLC</b>	<b>Arm 3.18 m</b>	<b>Arm 2.65 m</b>	<b>Arm 3.66 m</b>
<b>J</b> Track gauge	2390 mm	2390 mm	2390 mm
<b>K</b> Undercarriage overall width (with 600 mm shoes)	2990 mm	2990 mm	2990 mm

## WEIGHT AND GROUND PRESSURE CX300D

with 3.18 m Arm, 1.1 m<sup>3</sup> bucket, 600 mm grouser shoe, operator, lubricant, coolant, full fuel tank and top guard OPG level 2.

CX300D LC	Weight	Ground pressure
	30.000 kg	0.057 MPa
CX300D NLC	Weight	Ground pressure
	29.900 kg	0.057 MPa

Counter weight 5.100 kg

# CX D-SERIES

## CX300D

### LIFTING CAPACITY CX300D

Front 360°	REACH							m
	1.5 m	3.0 m	4.5 m	6.0 m	7.5 m	9.0 m	At max reach	

#### LC - Short arm. 2.65 m arm length, 1.3 m<sup>3</sup> bucket, 600G shoes, max reach 10.20 m

7.5 m									6130*	5790			4380*	4380*	8.16
6.0 m									6920*	5700	4610*	4070	4260*	4010	9.06
4.5 m					10030*	10030*	8810*	7980	7680*	5520	6120	4010	4290*	3530	9.60
3.0 m					13410*	11860	10240*	7550	8100	5290	5990	3890	4450*	3300	9.84
1.5 m					15590*	10990	11220	7130	7860	5060	5860	3770	4710*	3240	9.83
0 m			8180*	8180*	16480*	10510	10930	6830	7660	4890	5760	3680	5170*	3340	9.57
-1.5 m	9160*	9160*	11730*	11730*	16340*	10460	10780	6710	7580	4810	5760	3680	5700	3630	9.05
-3.0 m	12290*	12290*	16590*	16590*	15230*	10580	10820	6770	7660	4900			6610	4220	8.24
-4.5 m	17650*	17650*	12830*	10840	9500*	7030							6930*	5440	7.05

#### NLC - Short arm. 2.65 m arm length, 1.3 m<sup>3</sup> bucket, 600G shoes, max reach 10.20 m

7.5 m									6130*	5300			4380*	4380*	8.16
6.0 m									6920*	5220	4610*	3700	4260*	3650	9.06
4.5 m					10030*	10030*	8810*	7290	7680*	5040	6100	3640	4290*	3200	9.60
3.0 m					13410*	10720	10240*	6870	8080*	4810	5980	3520	4450*	2970	9.84
1.5 m					15590*	9870	11200	6460	7840	4590	5850	3410	4710*	2920	9.83
0 m			8180*	8180*	16480*	9410	10910	6160	7650	4410	5750	3320	5170*	3010	9.57
-1.5 m	9160*	9160*	11730*	11730*	16340*	9370	10760	6050	7560	4340	5740	3310	5680	3270	9.05
-3.0 m	12290*	12290*	16590*	16590*	15230*	9490	10800	6110	7640	4430			6590	3810	8.24
-4.5 m			17650*	17650*	12830*	9760	9500*	6370					6930*	4920	7.05

#### LC - Standard arm. 3.18 m arm length, 1.1 m<sup>3</sup> bucket, 600G shoes, max reach 10.70 m

9.0 m													3790*	3790*	7.41
7.5 m									5240*	5240*			3520*	3520*	8.72
6.0 m									6160*	5810	5010*	4160	3430*	3430*	9.56
4.5 m							8020*	7910*	7200*	5610	6160	4070	3470*	3270	10.06
3.0 m			18370*	18370*	12840*	12050	9670*	7680	8020*	5350	6040	3930	3610*	3060	10.29
1.5 m			7810*	7810*	15440*	11190	11020*	7220	7910	5100	5880	3790	3840*	3000	10.28
0 m			8780*	8780*	16370*	10570	10970	6860	7680	4900	5760	3670	4210*	3080	10.03
-1.5 m	8780*	8780*	11500*	11500*	16440*	10380	10750	6670	7540	4770	5710	3620	4830*	3310	9.54
-3.0 m	11180*	11180*	15360*	15360*	15710*	10450	10750	6690	7570	4800			5890*	3790	8.77
-4.5 m	15030*	15030*	19520*	19520*	13830*	10670	10280*	6860	7440*	4940			6880*	4720	7.66
-6.0 m			13860*	13860*	10080*	10080*	6750*	6750*					6460*	6460*	6.04

#### NLC - Standard arm. 3.18 m arm length, 1.1 m<sup>3</sup> bucket, 600G shoes, max reach 10.70 m

9.0 m													3790*	3790*	7.4
7.5 m									5240*	5240*			3520*	3520*	8.72
6.0 m									6160*	5320	5010*	3790	3430*	3350	9.56
4.5 m							8020*	7350	7200*	5120	6150	3700	3470*	2950	10.06
3.0 m			18370*	18370*	12840*	11010	9670*	7000	8020*	4870	6020	3560	3610*	2750	10.29
1.5 m			7810*	7810*	15440*	10070	11020*	6540	7890	4630	5870	3420	3840*	2700	10.28
0 m			8780*	8780*	16370*	9460	10950	6190	7660	4420	5750	3310	4210*	2760	10.03
-1.5 m	8780*	8780*	11500*	11500*	16440*	9290	10730	6000	7520	4300	5690	3260	4830*	2980	9.54
-3.0 m	11180*	11180*	15360*	15360*	15710*	9360	10730	6030	7550	4330			5890*	3410	8.77
-4.5 m	15030*	15030*	19520*	18750	13830*	9590	10280*	6210	7440*	4460			6880*	4260	7.66
-6.0 m			13860*	13860*	10080*	9690	6750*	6340					6460*	6270	6.04

\* Hydraulic capacity 87%



# LIFTING CAPACITY

## CX300D

### LIFTING CAPACITY CX300D

Front 360°	REACH							
	1.5 m	3.0 m	4.5 m	6.0 m	7.5 m	9.0 m	10.5 m	At max reach m

#### LC - Long arm. 3.66 arm length, 1.0 m<sup>3</sup> bucket, 600G shoes, max reach 11.20 m

9.0 m														3040*	3040*	8.1	
7.5 m								4580*	4580*	3620*	3620*			2820*	2820*	9.3	
6.0 m								5680*	5670	4730*	4210			2750*	2750*	10.8	
4.5 m								6710*	5670	5520*	4090	3020*	3010	2760*	2760*	10.56	
3.0 m			10710*	10710*	11770*	11770*	9090*	7780	7630*	5400	6060	3940	3970*	2950	2860*	2790	10.78
1.5 m			10400*	10400*	14600*	11370	10550*	7280	7940	5120	5880	3780	4230*	2870	3030*	2730	10.76
0 m	3960*	3960*	8910*	8910*	16160*	10620	11000	6870	7670	4880	5730	3640	3480*	2800	3310*	2790	10.53
-1.5 m	7680*	7680*	10870*	10870*	16390*	10280	10700	6610	7490	4720	5640	3560			3760*	2980	10.6
-3.0 m	9990*	9990*	14000*	14000*	15950*	10300	10650	6580	7470	4700	5680	3590			4510*	3370	9.34
-4.5 m	13230*	13230*	18970*	18970*	14500*	10480	10630	6710	7540	4860					5890*	4090	8.3
-6.0 m			16100*	16100*	11480*	10640	8260*	6910							6350*	5630	6.82

#### NLC - Long arm. 3.66 arm length, 1.0 m<sup>3</sup> bucket, 600G shoes, max reach 11.20 m

9.0 m															3040*	3040*	8.1
7.5 m									4580*	4580*	3620*	3620*			2820*	2820*	9.3
6.0 m									5680*	5310	4730*	3840			2750*	2750*	10.8
4.5 m									6710*	5180	5520*	3720	3020*	2720	2760*	2680	10.56
3.0 m			10710*	10710*	11770*	11110*	9090*	7090	7630*	4910	6040	3570	3970*	2650	2860*	2500	10.78
1.5 m			10400*	10400*	14600*	10240	10550*	6600	7920	4640	5870	3410	4230*	2570	3030*	2440	10.76
0 m	3960*	3960*	8910*	8910*	16160*	9510	10970	6200	7650	4400	5720	3270	3480*	2510	3310*	2500	10.53
-1.5 m	7680*	7680*	10870*	10870*	16390*	9190	10680	5950	7470	4240	5630	3190			3760*	2670	10.6
-3.0 m	9990*	9990*	14000*	14000*	15950*	9210	10620	5920	7450	4230	5660	3230			4510*	3020	9.34
-4.5 m	13230*	13230*	18970*	18750*	14500*	9390	10610*	6050	7520	4390					5890*	3680	8.3
-6.0 m			16100*	16100*	11480*	9660	8260*	6300							6350*	5090	6.82

\* Hydraulic capacity 87%

# CX D-SERIES

## CX350D - CX370D

### ENGINE

Model \_\_\_\_\_ ISUZU AQ-6HK1X  
 Type \_\_\_\_\_ Water-cooled, 4-cycle diesel, 6-cylinder in line, High pressure common rail system (electric control), Turbocharger with air cooled intercooler, SCR system.  
 Number of cylinders / Displacement \_\_\_\_\_ 6 / 7,79 l  
 Bore & stroke \_\_\_\_\_ 115 mm x 125 mm  
**Rated flywheel horse power**  
 ISO 9249 \_\_\_\_\_ 200 kW at 1900 min<sup>-1</sup>  
 ISO 14396 \_\_\_\_\_ 210 kW at 1900 min<sup>-1</sup>

### Maximum torque

ISO 9249 \_\_\_\_\_ 988 N-m at 1500 min<sup>-1</sup>  
 ISO 14396 \_\_\_\_\_ 1020 N-m at 1500 min<sup>-1</sup>

### HYDRAULIC SYSTEM

Main pumps \_\_\_\_\_ 2 variable displacement axial piston pumps with regulating system  
 Max. oil flow \_\_\_\_\_ 2 x 300 liter/min at 1900 min<sup>-1</sup>  
**Working circuit pressure**  
 Boom/Arm/Bucket \_\_\_\_\_ 34.3 MPa - 37.3 MPa with auto power boost  
 Swing circuit \_\_\_\_\_ 30.4 MPa  
 Travel circuit \_\_\_\_\_ 34.3 MPa  
 Pilot pump \_\_\_\_\_ 1 gear pump  
 Max. oil flow \_\_\_\_\_ 28.5 liter/min  
 Working circuit pressure \_\_\_\_\_ 3.9 MPa

### Boom Cylinders

Bore \_\_\_\_\_ 145 mm  
 Stroke \_\_\_\_\_ 1495 mm

### Arm Cylinders

Bore \_\_\_\_\_ 170 mm  
 Stroke \_\_\_\_\_ 1748 mm

### Bucket Cylinder

Bore \_\_\_\_\_ 150 mm  
 Stroke \_\_\_\_\_ 1210 mm

### SWING

Swing Motor \_\_\_\_\_ Fixed displacement axial piston motor  
 Maximum swing speed \_\_\_\_\_ 9.7 min<sup>-1</sup>  
 Swing torque \_\_\_\_\_ 112,000 Nm

### PERFORMANCE DATA CX350D/CX370D

	Arm 3.25m	Arm 2.21m	Arm 2.63m	Arm 4.04m*
Boom length	6450 mm	6450 mm	6450 mm	6450 mm
Bucket radius	1680 mm	1680 mm	1680 mm	1680 mm
Bucket wrist action	173°	173°	173°	173°
<b>A</b> Maximum reach at GRP	10980 mm	9970 mm	10450 mm	11710 mm
<b>B</b> Maximum reach	11170 mm	10180 mm	10650 mm	11900 mm
<b>C</b> Max. digging depth	7340 mm	6300 mm	6720 mm	8140 mm
<b>D</b> Max. digging height	10380 mm	9830 mm	10280 mm	10650 mm
<b>E</b> Max. dumping height	7240 mm	6730 mm	7110 mm	7530 mm

### DIGGING FORCE (ISO 6015)

	Arm 3.25m	Arm 2.21m	Arm 2.63m	Arm 4.04m*
Arm digging force	164.5 kN	225.3 kN	194.7 kN	140.0 kN
with Auto power boost	178.8 kN	245.0 kN	211.7 kN	152.2 kN
Bucket digging force	229.7 kN	229.7 kN	229.7 kN	229.7 kN
with Auto power boost	249.8 kN	249.8 kN	249.8 kN	249.8 kN

\*CX350D only

### FILTERS

Suction filter \_\_\_\_\_ 105 µm  
 Return filter \_\_\_\_\_ 6 µm  
 Pilot line filter \_\_\_\_\_ 8 µm

### ELECTRICAL SYSTEM

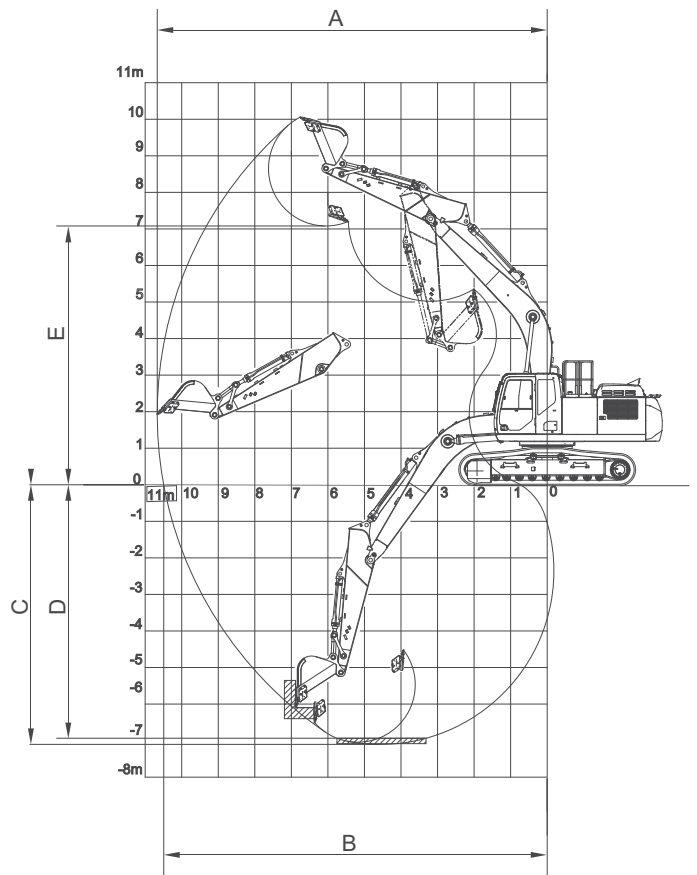
Voltage \_\_\_\_\_ 24 V  
 Alternator \_\_\_\_\_ 50 Amp  
 Starter \_\_\_\_\_ 24 V 5.0 kW  
 Battery \_\_\_\_\_ 2X12V 128 Ah/5 HR

### UNDERCARRIAGE

Travel motor \_\_\_\_\_ Variable displacement axial piston motor  
 High travel speed (Automatic travel speed shifting) \_\_\_\_\_ 5.5 km/h  
 Low travel speed \_\_\_\_\_ 3.3 km/h  
 Drawbar pull \_\_\_\_\_ 273 KN  
 Number of carrier rollers (each side) \_\_\_\_\_ 2  
 Number of track rollers (each side) \_\_\_\_\_ 8  
 Number of shoes (each side) \_\_\_\_\_ 48  
 Type of shoe \_\_\_\_\_ Triple grouser shoe  
 Grade ability \_\_\_\_\_ 70 % (35°)

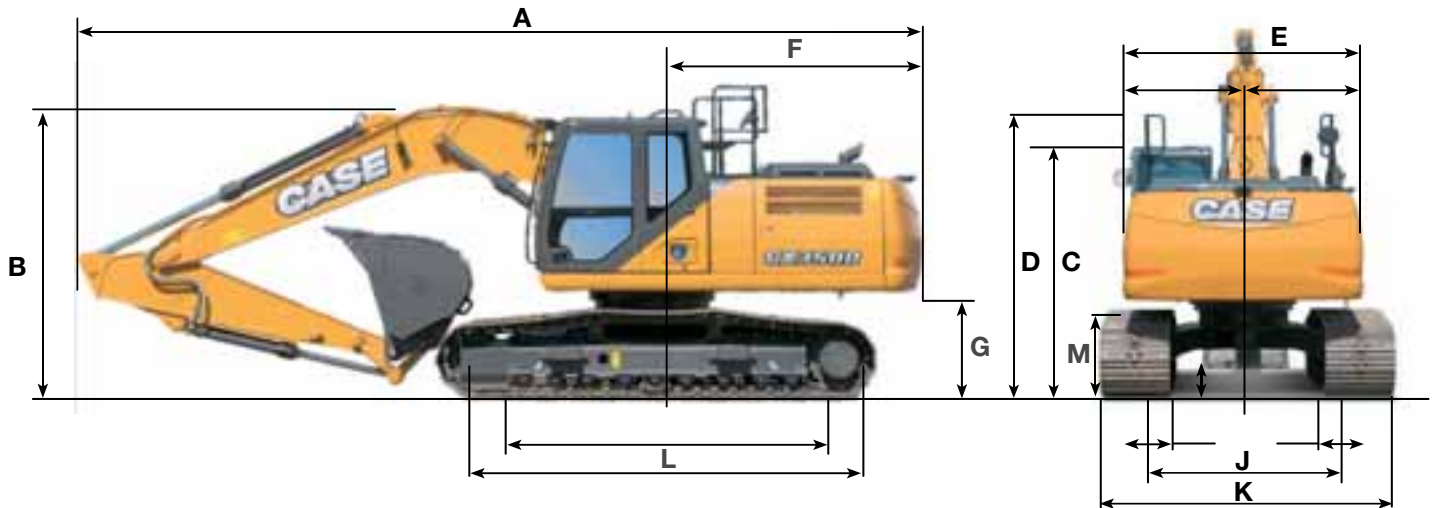
### CIRCUIT AND COMPONENT CAPACITIES

Fuel tank \_\_\_\_\_ 580 l  
 Hydraulic system \_\_\_\_\_ 350 l  
 Hydraulic tank \_\_\_\_\_ 175 l  
 Adblue tank \_\_\_\_\_ 152 l



# SPECIFICATIONS

## GENERAL DIMENSIONS



LC/NLC	Arm 3.25 m	Arm 2.21 m	Arm 2.63 m	Arm 4.04 m*
Overall length (without attachment)	6010 mm	6010 mm	6010 mm	6010 mm
<b>A</b> Overall length (with attachment)	11170 mm	11250 mm	11220 mm	11190 mm
<b>B</b> Overall height (to top of boom)	3470 mm	3620 mm	3630 mm	3620 mm
<b>C</b> Cab height	3260 mm	3260 mm	3260 mm	3260 mm
<b>D</b> Overall height (to top of guardrail)	3470 mm	3470 mm	3470 mm	3470 mm
<b>E</b> Upper structure overall width	3030 mm	3030 mm	3030 mm	3030 mm
<b>F</b> Swing (rear end radius)	3550 mm	3550 mm	3550 mm	3550 mm
<b>G</b> Clearance height under upper structure	1210 mm	1210 mm	1210 mm	1210 mm
<b>H</b> Minimum ground clearance	470 mm	470 mm	470 mm	470 mm
<b>I</b> Wheel base (Center to center of wheels)	4040 mm	4040 mm	4040 mm	4040 mm
<b>L</b> Crawler overall length	4980 mm	4980 mm	4980 mm	4980 mm
<b>M</b> Crawler tracks height	1090 mm	1090 mm	1090 mm	1090 mm
<b>LC</b>	<b>Arm 3.25 m</b>	<b>Arm 2.21 m</b>	<b>Arm 2.63 m</b>	<b>Arm 4.04 m*</b>
<b>I</b> Track gauge	2600 mm	2600 mm	2600 mm	2600 mm
<b>K</b> Undercarriage overall width (with 600 mm shoes)	3200 mm	3200 mm	3200 mm	3200 mm
<b>NLC</b>	<b>Arm 3.25 m</b>	<b>Arm 2.21 m</b>	<b>Arm 2.63 m</b>	<b>Arm 4.04 m*</b>
<b>J</b> Track gauge	2390 mm	2390 mm	2390 mm	2390 mm
<b>K</b> Undercarriage overall width (with 600 mm shoes)	2990 mm	2990 mm	2990 mm	2990 mm

\*CX350D only

## WEIGHT AND GROUND PRESSURE CX350D

with 3.25 m Arm, 1.4 m<sup>3</sup> bucket, 600 mm grouser shoe, operator, lubricant, coolant, full fuel tank and top guard OPG level 2.

CX350D LC	Weight	Ground pressure
	35.800 kg	0.067 MPa
CX350D NLC	Weight	Ground pressure
	35.700 kg	0.067 MPa

Counter weight 6.400 kg

## WEIGHT AND GROUND PRESSURE CX370D

with 3.25 m Arm, 1.4 m<sup>3</sup> bucket, 600 mm grouser shoe, operator, lubricant, coolant, full fuel tank and top guard OPG level 2.

CX370D LC	Weight	Ground pressure
	38.000 kg	0.071 MPa
CX370D NLC	Weight	Ground pressure
	37.900 kg	0.071 MPa

Counter weight 7.400 kg

# CX D-SERIES

## CX350D

### LIFTING CAPACITY CX350D

Front 360°	REACH											
	1.5 m	3.0 m	4.5 m	6.0 m	7.5 m	9.0 m	At max reach		m			

#### LC - Short arm. 2.63 m arm length, 1.60 m<sup>3</sup> bucket, 600G shoes, max reach 10.70 m

9.0 m														5590*	5590*	7.5
7.5 m									7360 *	7000				5200*	5130	8.75
6.0 m									7920 *	6810	7100*	4810		5050*	4230	9.55
4.5 m																
3.0 m																
1.5 m																
0 m																
-1.5 m	9240 *	9240*	14260 *	14260 *	18320*	12380	12960	7830	9030	5550	6820	4200		6430	3960	9.35
-3.0 m	15890 *	15890*	20700 *	20700 *	16940*	12610	12690 *	7960	9110	5680				7430*	4660	8.51
-4.5 m			19160 *	19160 *	14230*	12820*	10630 *	8300						7100*	6070	7.3

#### NLC - Short arm. 2.63 m arm length, 1.60 m<sup>3</sup> bucket, 600G shoes, max reach 10.70 m

9.0 m														5590*	5590*	7.5
7.5 m									7360 *	6440				5200*	4680	8.75
6.0 m									7920 *	6250	7100*	4390		5050*	3840	9.55
4.5 m																
3.0 m																
1.5 m																
0 m																
-1.5 m	9240 *	9240*	14260 *	14260 *	18320*	11120	12930	7070	9010	5010	6810	3790		6410	3560	9.35
-3.0 m	15890 *	15890*	20700 *	20700 *	16940*	11360	12690 *	7200	9090	5140				7430*	4210	8.51
-4.5 m			19160 *	19160 *	14230*	11710*	10630 *	7570						7100*	5510	7.3

#### LC - S-Short arm. 2.21 m arm length, 1.60 m<sup>3</sup> bucket, 600G shoes, max reach 10.20 m

7.5 m									7830 *	6920				6900*	5820	8.18
6.0 m																
4.5 m																
3.0 m																
1.5 m																
0 m																
-1.5 m																
-3.0 m																
-4.5 m																

#### NLC - S-Short arm. 2.21 m arm length, 1.60 m<sup>3</sup> bucket, 600G shoes, max reach 10.20 m

7.5 m									7830 *	6360				6900*	5340	8.18
6.0 m																
4.5 m																
3.0 m																
1.5 m																
0 m																
-1.5 m																
-3.0 m																
-4.5 m																

\* Hydraulic capacity 87%

# LIFTING CAPACITY

## CX350D

### LIFTING CAPACITY CX350D

Front 360°	REACH							
	1.5 m	3.0 m	4.5 m	6.0 m	7.5 m	9.0 m	10.5 m	At max reach m

#### LC - Standard arm. 3.25 arm length, 1.4 m<sup>3</sup> bucket, 600G shoes, max reach 11.20 m

9.0 m														3950*	3950*	8.23	
7.5 m								6700*	6700*	5290*	5100			3700*	3700*	9.37	
6.0 m								7330*	7010	6650*	5030			3630*	3630*	10.11	
4.5 m				7690*	7690*	9630*	9590*	8140*	6740	7230*	4860	4000*	3560	3660*	3520	10.55	
3.0 m			17460*	17460*	15700*	14410	11400*	9180	9190*	6380	7310	4660	5420*	3470	3790*	3310	10.73
1.5 m			7260*	7260*	17900*	13280	12860*	8570	9570	6040	7090	4460	5470	3380	4040*	3260	10.69
0 m			10330*	10330*	18780*	12570	13310	8120	9270	5770	6920	4300			4430*	3360	10.43
-1.5 m	10360*	10360*	14120*	14120*	18780*	12460	13070	7930	9120	5630	6850	4240			5050*	3640	9.92
-3.0 m	14360*	14360*	19040*	19040*	17870*	12600	13020	7990	9160	5680	6930	4330			6120*	4190	9.13
-4.5 m	19130*	19130*	22090*	22090*	15770*	12920	11790*	8230	8700*	5970					7250*	5240	8.01
-6.0 m			15980*	15980*	11750*	11750*	8250*	8250*							6990*	6990*	6.40

#### NLC - Standard arm. 3.25 arm length, 1.4 m<sup>3</sup> bucket, 600G shoes, max reach 11.20 m

9.0 m																3950*	3950*	8.23
7.5 m									6700*	6470	5290*	4670				3700*	3700*	9.37
6.0 m									7330*	6470	6650*	4600				3630*	3570	10.11
4.5 m				7690*	7690*	9630*	8960	8140*	6180	7230*	4440	4000*	3220	3660*	3180	10.55		
3.0 m			17460*	17460*	15700*	13210	11400*	8400	9190*	5830	7290	4240	5420*	3130	3790*	2980	10.73	
1.5 m			7260*	7260*	17900*	12000	12860*	7800	9550	5490	7070	4040	5450	3040	4040*	2930	10.69	
0 m			10330*	10330*	18870*	11310	13280	7360	9250	5230	6910	3890			4430*	3020	10.43	
-1.5 m	10360*	10360*	14120*	14120*	18780*	11210	13050	7170	9100	5090	6840	3820			5050*	3270	9.92	
-3.0 m	14360*	14360*	19040*	19040*	17870*	11350	13000	7230	9140	5140	6910	3910			6120*	3780	9.13	
-4.5 m	19130*	19130*	22090*	22090*	15770*	11670	11790*	7470	8700*	5430					7250*	4750	8.01	
-6.0 m			15980*	15980*	11750*	11670*	8250*	7620							6990*	6920	6.40	

#### LC - Long arm. 4.04 arm length, 1.15 m<sup>3</sup> bucket, 600G shoes, max reach 11.90 m

9.0 m											3590*	3590*				2950*	2950*	9.19
7.5 m											5280*	5270				2780*	2780*	10.2
6.0 m											5900*	5160	4130*	3730	2720*	2720*	10.88	
4.5 m									7250*	6900	6630*	4960	5360*	3640	2750*	2750*	11.28	
3.0 m			10330*	10330*	13730*	13730*	10320*	9420	8470*	6510	7240*	4720	5620	3500	2850*	2850*	11.46	
1.5 m			12630*	12630*	16840*	13710	12010*	8740	9460*	6110	7130	4480	5470	3370	3040*	2840	11.42	
0 m	5260*	5260*	11210*	11210*	18470*	12680	13140*	8170	9290	5770	6900	4270	5350	3250	3340*	2900	11.17	
-1.5 m	9230*	9230*	13530*	13530*	18700*	12240	12980	7810	9030	5540	6760	4140	5210*	3210	3800*	3110	10.7	
-3.0 m	12480*	12480*	17140*	17140*	18290*	12270	12900	7780	8990	5500	6770	4150			4530*	3510	9.98	
-4.5 m	16980*	16980*	22550*	22550*	16910*	12500	12510*	7930	9050	5640					5830*	4240	8.96	
-6.0 m	21170*	21170*	19850*	19850*	14050*	12730	10350*	8240	7110*	5800					6770*	5720	7.53	

#### NLC - Long arm. 4.04 arm length, 1.15 m<sup>3</sup> bucket, 600G shoes, max reach 11.90 m

9.0 m											3590*	3590*				2950*	2950*	9.19
7.5 m											5280*	4850				2780*	2780*	10.2
6.0 m											5900*	4740	4130*	3390	2720*	2720*	10.88	
4.5 m									7250*	6360	6630*	4540	5360*	3300	2750*	2750*	11.28	
3.0 m			10330*	10330*	13730*	13370	10320*	8660	8470*	5960	7240*	4300	5600	3160	2850*	2590	11.46	
1.5 m			12630*	12630*	16840*	12410	12010*	7970	9460*	5560	7110	4060	5450	3030	3040*	2540	11.42	
0 m	5260*	5260*	11210*	11210*	18470*	11410	13140*	7400	9270	5230	6890	3850	5330	2920	3340*	2590	11.17	
-1.5 m	9230*	9230*	13530*	13530*	18700*	10990	12950	7060	9010	5000	6740	3720	5210*	2870	3800*	2780	10.7	
-3.0 m	12480*	12480*	17140*	17140*	18290*	11030	12870	7020	8970	4960	6750	3730			4530*	3150	9.98	
-4.5 m	16980*	16980*	22550*	22550*	16910*	11260	12510*	7170	9030	5100					5830*	3820	8.96	
-6.0 m	21170*	21170*	19850*	19850*	14050*	11650	10350*	7560	7110*	5260					6770*	5180	7.53	

\* Hydraulic capacity 87%

# CX D-SERIES

## CX370D

### LIFTING CAPACITY CX370D

Front 360°	REACH						
	1.5 m	3.0 m	4.5 m	6.0 m	7.5 m	9.0 m	At max reach m

#### LC - Short arm. 2.63 m arm length, 1.60 m<sup>3</sup> bucket, 600G shoes, max reach 10.70 m

9.0 m									5300 *	5300*			5290*	5290*	7.5
7.5 m									7030 *	7030*			4900*	4900*	8.75
6.0 m									7550 *	7120	6730*	5000	4750*	4370	9.55
4.5 m					12370*	12370*	9940 *	9810 *	8230 *	6820	7210*	4860	4780*	3850	10.2
3.0 m					14980*	14780*	11560 *	9360	9110 *	6460	7450	4660	4930	3610	10.22
1.5 m					17330*	13590	12740 *	8760	9760	6130	7250	4480	5230*	3560	10.17
0 m					18170*	13080	13160 *	8370	9570	5890	7110	4350	5730*	3700	9.89
-1.5 m	8950 *	8950*	13970 *	13970 *	17820*	13170	13020	8270	9480	5810	7110	4350	6570*	4080	9.35
-3.0 m	15620 *	15620*	20370 *	20370 *	16440*	13400*	12240 *	8390	9240 *	5940			7010*	4840	8.52
-4.5 m			18580 *	18580 *	13740*	13430	10180 *	8650					6680*	6360	7.3

#### NLC - Short arm. 2.63 m arm length, 1.60 m<sup>3</sup> bucket, 600G shoes, max reach 10.70 m

9.0 m													5290*	5290*	7.5
7.5 m									7030 *	6720			4900*	4870	8.75
6.0 m									7550 *	6550	6730*	4560	4760*	3970	9.55
4.5 m					12370*	12370*	9940 *	9180	8230 *	6240	7210*	4410	4780*	3480	10.2
3.0 m					14980*	13400	11560 *	8540	9110 *	5880	7430	4220	4940*	3240	10.22
1.5 m					17330*	12250	12740 *	7960	9740	5560	7230	4040	5230*	3190	10.17
0 m					18170*	11750	13160 *	7570	9550	5320	7090	3910	5740*	3320	9.89
-1.5 m	8950 *	8950*	13970 *	13970 *	17820*	11840	13020 *	7470	9450	5240	7090	3920	6580*	3670	9.35
-3.0 m	15620 *	15620*	20370 *	20370 *	16440*	12080	12240 *	7600	9240 *	5380			7010*	4370	8.52
-4.5 m			18580 *	18580 *	13740*	12290	10180 *	7930					6680*	5770	7.3

#### LC - S-Short arm. 2.21 m arm length, 1.60 m<sup>3</sup> bucket, 600G shoes, max reach 10.20 m

7.5 m									7470 *	7240*			6600*	6070	8.18
6.0 m									9000 *	9000 *	8080 *	7080	6890*	4950	9.04
4.5 m					13060*	13060*	10510 *	9880	8650 *	6780	7480*	4810	6600*	4280	9.54
3.0 m					15850*	14480	12050 *	9280	9440 *	6440	7450	4680	6450	4000	9.75
1.5 m					17780*	13410	13050 *	8730	9830	6150	7280	4520	6410	3940	9.7
0 m					18280*	13060	13250 *	8400	9620	5940	7180	4420	6700	4120	9.4
-1.5 m			15740 *	15740 *	17570*	13340	13010 *	8370	9580	5910			7420	4580	8.83
-3.0 m			21270 *	21270 *	15870*	13600	11950 *	8550	8870 *	6140			7570*	5520	7.95
-4.5 m			16590 *	16590 *	12700*	12700*	9310 *	8710					7120*	7120*	6.63

#### NLC - S-Short arm. 2.21 m arm length, 1.60 m<sup>3</sup> bucket, 600G shoes, max reach 10.20 m

7.5 m									7480 *	6660			6610*	5560	8.18
6.0 m									9000 *	9000 *	8080 *	6500	6860*	4510	9.03
4.5 m					13060*	13060*	10510 *	9080	8650 *	6200	7480*	4400	6600*	3880	9.53
3.0 m					15850*	13120	12050 *	8460	9450 *	5870	7440	4240	6440	3610	9.74
1.5 m					17780*	12080	13050 *	7930	9810	5580	7260	4080	6400	3550	9.7
0 m					18580*	11740	13250 *	7600	9600	5380	7160	3980	6680	3710	9.4
-1.5 m			15740 *	15740 *	17570*	12010	13010 *	7570	9550	5340			7400	4130	8.83
-3.0 m			21270 *	21270 *	15870*	12280	11950 *	7750	8870 *	5580			7570*	5000	7.94
-4.5 m			16590 *	16590 *	12700*	12340*	9310 *	8000					7120*	6860	6.63

\* Hydraulic capacity 87%

# LIFTING CAPACITY

## CX370D

### LIFTING CAPACITY CX370D

Front 360°	REACH							
	1.5 m	3.0 m	4.5 m	6.0 m	7.5 m	9.0 m	10.5 m	At max reach

#### LC - Standard arm. 3.25 arm length, 1.4 m<sup>3</sup> bucket, 600G shoes, max reach 11.20 m

9.0 m																3620*	3620*	8.23
7.5 m									6380*	6380*	4960*	4960*				3370*	3370*	9.37
6.0 m									6860*	6860*	6150*	5130				3290*	3290*	10.11
4.5 m				7430*	7430*	9120*	9120*	7620*	6960	6750*	4950	3680*	3550		3320*	3320*	10.55	
3.0 m			17040*	17040*	15040*	14780*	10840*	9570	8640*	6560	7260*	4720	5090	3450	3450*	3270	10.73	
1.5 m			6920*	6920*	17200*	13900	9460*	6190	7280	4500	5250*	3340			3700*	3220	10.69	
0 m			10030*	10030*	18040*	13110	12970*	8400	9580	5890	7090	4330			4090	3320	10.43	
-1.5 m	10050*	10050*	13790*	13790*	18010*	12980	12990*	8170	9400	5730	7010	4250			4720*	3620	9.92	
-3.0 m	14050*	14050*	18690*	18690*	17090*	13130	12560*	8230	9390	5780	7040	4350			5800*	4210	9.13	
-4.5 m	18780*	18780*	21140*	21140*	15010*	13400	11120*	8500	8110*	6080					6680*	5330	8.01	
-6.0 m			15110*	15110*	11040*	11040*	7630*	7630*							6400*	6400*	6.40	

#### NLC - Standard arm. 3.25 arm length, 1.4 m<sup>3</sup> bucket, 600G shoes, max reach 11.20 m

9.0 m																	3620*	3620*	8.23
7.5 m									6390*	6390*	4960*	4750				3370*	3370*	9.37	
6.0 m									6860*	6600	6150*	4680				3290*	3290*	10.11	
4.5 m				7460*	7460*	9120*	9120*	7620*	6380	6750*	4500	3660*	3190		3330*	3140	10.55		
3.0 m			17040*	17040*	15050*	13770*	10840*	8740	8640*	5980	7260*	4280	5080*	3090	3450*	2930	10.73		
1.5 m			6920*	6920*	17200*	12550	12240*	8080	9460*	5620	7260	4060	5230*	2990	3700*	2870	10.69		
0 m			10030*	10030*	18040*	11790	12980*	7590	9560	5320	7070	3890			4100*	2960	10.43		
-1.5 m	10050*	10050*	13790*	13790*	18010*	11660	12990*	7370	9380	5160	6990	3810			4730*	3240	9.92		
-3.0 m	14050*	14050*	18690*	18690*	17090*	11820	12560*	7440	9370	5220	7030	3920			5800*	3780	9.13		
-4.5 m	18780*	18780*	21140*	21140*	15010*	12170	11120*	7700	8110*	5540					6680*	4820	8.01		
-6.0 m			15110*	15110*	11040*	11040*	7630*	7630*							6400*	6400*	6.40		

\* Hydraulic capacity 87%



Form No. 20088GB - Printed in Italy - MediaCross Firenze - 03/15

**CASE CONSTRUCTION EQUIPMENT  
CONTACT INFORMATION**

**CNH UK LTD**

Unit 4, Hayfield Lane Business  
Park, Field Lane, Auckley,  
Doncaster, DN9 3FL  
UNITED KINGDOM  
Tel: 800 2273 7373

**CNH INDUSTRIAL ITALIA SPA**

Strada di Settimo, 323  
10099 San Mauro Torinese (TO)  
ITALIA  
Tel: 800 2273 7373

**CNH INDUSTRIAL  
DEUTSCHLAND GMBH**

Case Baumaschinen  
Benzstr. 1-3 - D-74076 Heilbronn  
DEUTSCHLAND  
Tel: 800 2273 7373

**CNH INDUSTRIAL  
MAQUINARIA SPAIN, S.A.**

Avda. José Gárate, 11  
28823 Coslada (Madrid)  
ESPAÑA  
Tel: 800 2273 7373

**CNH INDUSTRIAL FRANCE, S.A.**

16-18 Rue des Rochettes  
91150 Morigny-Champigny  
FRANCE  
Tel: 800 2273 7373

**NOTE:** Standard and optional fittings  
can vary according to the demands and  
specific regulations of each country.  
The illustrations may include optional  
rather than standard fittings - consult  
your Case dealer. Furthermore, CNH  
Industrial reserves the right to modify  
machine specifications without  
incurring any obligation relating to such  
changes.

Conforms to directive 2006/42/EC

